

**This electronic collection of documents is provided
for the convenience of the user
and is Not a Certified Document –**

**The documents contained herein were originally issued
and sealed by the individuals whose names and license
numbers appear on each page, on the dates appearing
with their signature on that page.**

**This file or an individual page
shall not be considered a certified document.**

INDEX OF SHEETS

SHEET NUMBER	SHEET
1	TITLE SHEET
1A	INDEX OF SHEETS AND STANDARD DRAWINGS
2B-1	CONCRETE WASHOUT STRUCTURE
2D-1 thru 2D-13	TRANSITION DETAILS

GENERAL NOTES: 2024 SPECIFICATIONS

DISPOSAL OF ALL CONCRETE MATERIALS NOT COVERED BY THE 2024 STANDARD SPECIFICATIONS FOR ROADS AND STRUCTURES, IS CONSIDERED INCIDENTAL TO ALL OTHER PAY ITEMS IN THE CONTRACT

2024 ROADWAY ENGLISH STANDARD DRAWINGS

The following Roadway Standards as appear in "Roadway Standard Drawings" Highway Design Branch - N. C. Department of Transportation - Raleigh, N. C., Dated January 16, 2024 are applicable to this project and by reference hereby are considered a part of these plans:

STD.NO. TITLE

DIVISION 3 - PIPE CULVERTS

300.01 Method of Pipe Installation
310.10 Driveway Pipe Construction

DIVISION 8 - INCIDENTALS

846.01 Concrete Curb, Gutter and Curb & Gutter
848.01 Concrete Sidewalk
848.02 Driveway Turnout - Radius Type
848.03 Driveway Turnout - Drop Curb Type
848.04 Street Turnout
848.06 Curb Ramp - Existing Curb & Gutter
850.01 Concrete Paved Ditches
852.01 Concrete Islands
852.02 Concrete Mountable Median - for Use with Rigid or Flexible Pavement
852.10 Median Construction - with Curb and Gutter

DIVISION 11 - WORK ZONE TRAFFIC CONTROL

1101.01 WORK ZONE WARNING SIGNS
1101.02 TEMPORARY LANE CLOSURES
1101.03 TEMPORARY ROAD CLOSURES
1101.04 TEMPORARY SHOULDER CLOSURES
1101.05 WORK ZONE VEHICLE ACCESSES
1101.06 WARNING SIGNS FOR BLASTING ZONES
1101.11 TRAFFIC CONTROL DESIGN TABLES
1110.01 STATIONARY WORK ZONE SIGNS
1110.02 PORTABLE WORK ZONE SIGNS
1115.01 FLASHING ARROW BOARDS
1130.01 DRUMS
1135.01 CONES
1145.01 BARRICADES
1150.01 FLAGGING DEVICES
1160.01 TEMPORARY CRASH CUSHION
1165.01 TRUCK MOUNTED ATTENUATOR
1170.01 PORTABLE CONCRETE BARRIER
1180.01 SKINNY - DRUMS

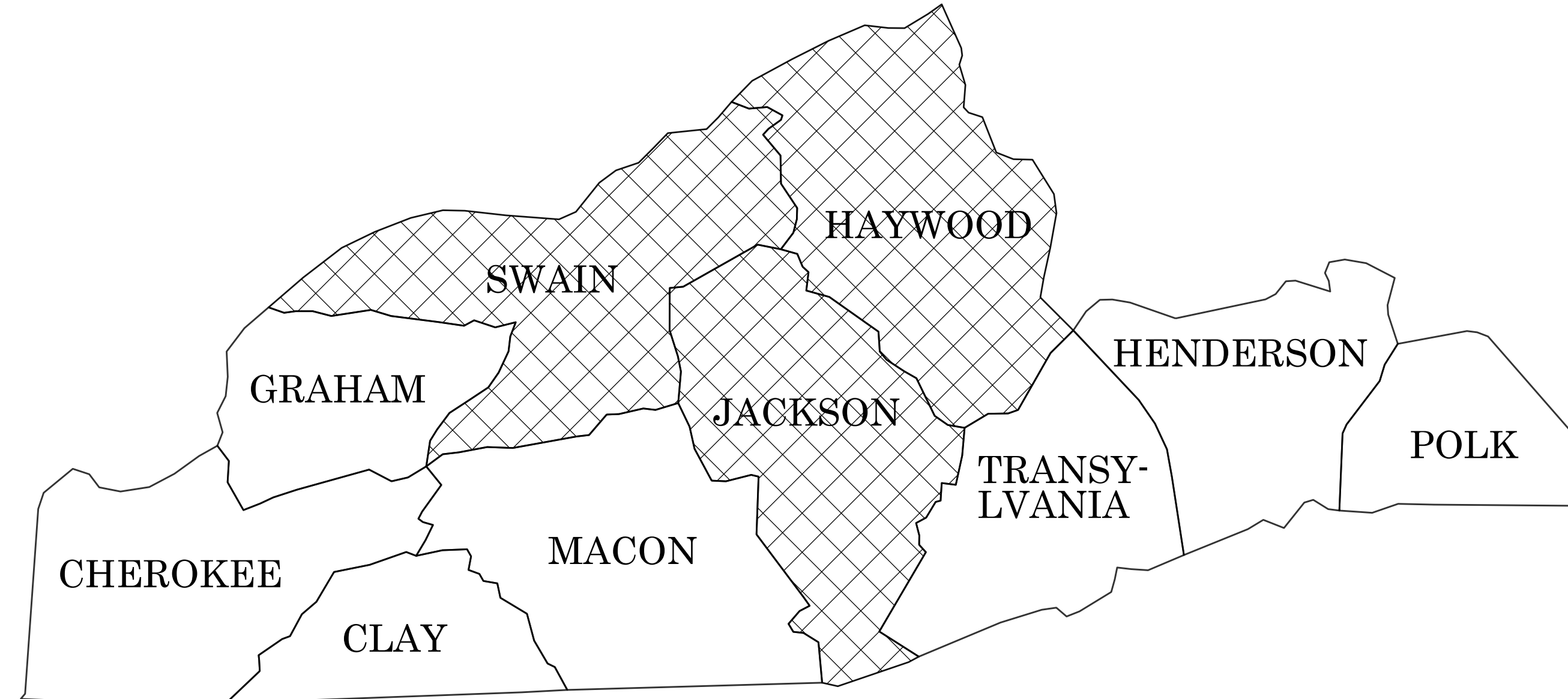
STATE OF NORTH CAROLINA DIVISION OF HIGHWAYS

DIVISION 14

LOCATION: *VARIOUS LOCATIONS ACROSS
DISTRICT 2 IN DIVISION 14*

TYPE OF WORK: *IDIQ ON-CALL CONCRETE INSTALLATION,
REPAIR & MAINTENANCE SERVICES*

STATE	STATE PROJECT REFERENCE NO.	SHEET NO.	TOTAL SHEETS
N.C.	DN12194531	1	20
STATE PROJ. NO.	F. A. PROJ. NO.	DESCRIPTION	
GMR14.HAY.1P			
GMR14.HAY.2P			
GMR14.JAC.1P			
GMR14.JAC.2P			
GMR14.SWA.1P			
GMR14.SWA.2P			



CONTRACT: DN12194531

Blank box for stamp or signature.

Blank box for stamp or signature.

Blank box for stamp or signature.

Prepared in the Office of:
DIVISION OF HIGHWAYS
253 WEBSTER RD., SYLVA NC, 28779

2024 STANDARD SPECIFICATIONS

RIGHT OF WAY DATE: N/A

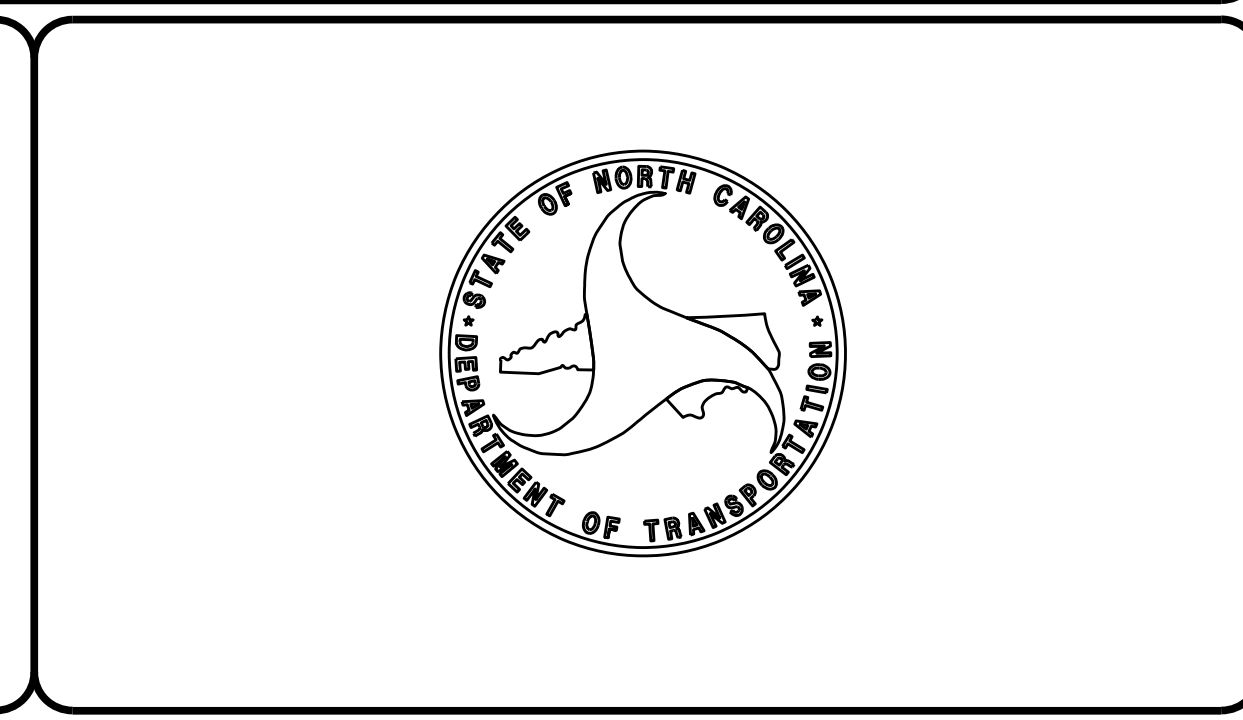
LETTING DATE: OCTOBER 14, 2025

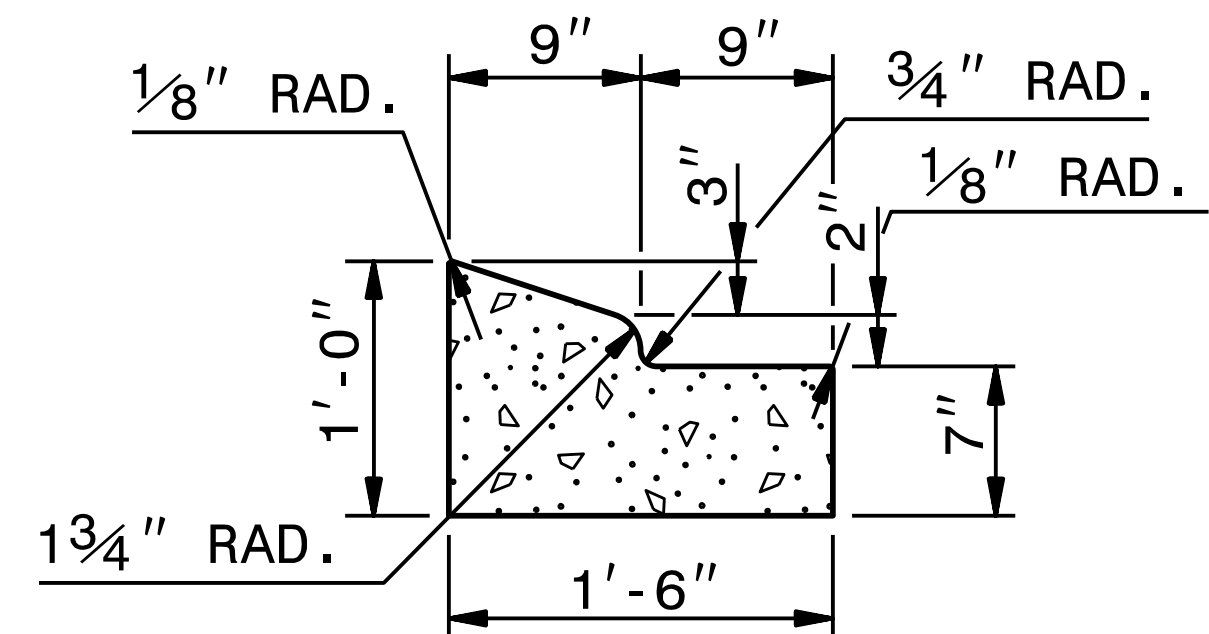
WILLIAM WEDDLE, P.E.
PROJECT ENGINEER

JAMES HOLLINGSWORTH
PROJECT DESIGN ENGINEER

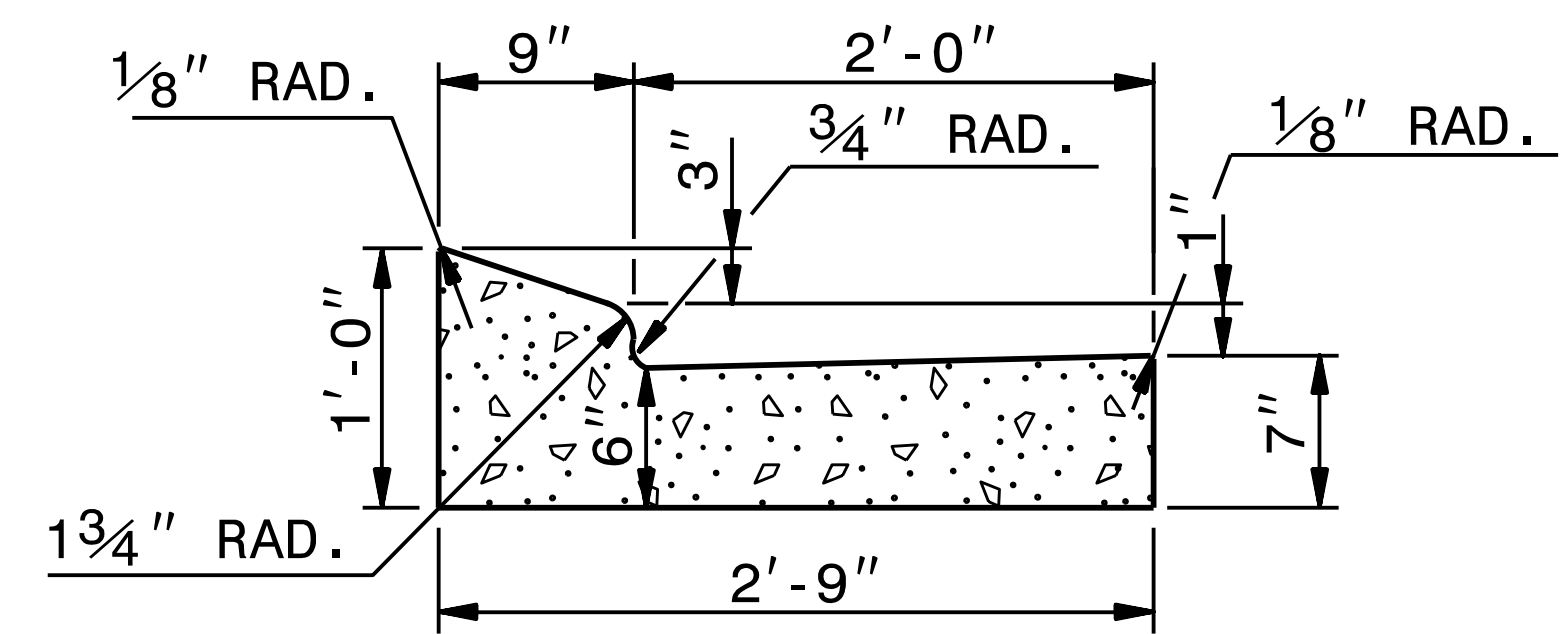
ROADWAY DESIGN ENGINEER

SIGNATURE: P.E.





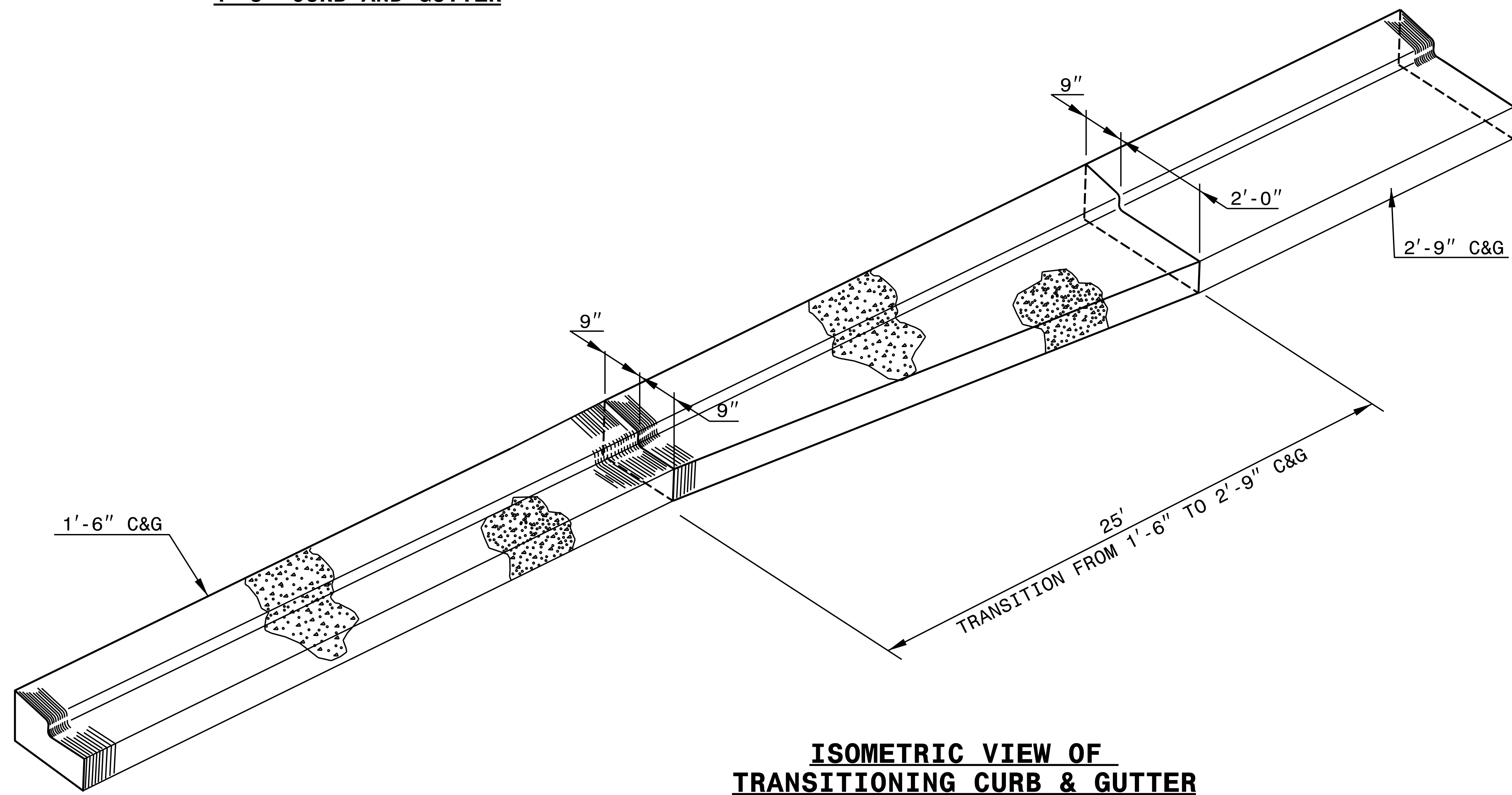
1'-6" CURB AND GUTTER



2'-9" CURB AND GUTTER

NOTE: SEE STD. DWG. 846.01 FOR ADDITIONAL CURB AND GUTTER INFORMATION.

SEE ROADWAY PLANS FOR LOCATION OF CURB TRANSITION.



**ISOMETRIC VIEW OF
TRANSITIONING CURB & GUTTER**

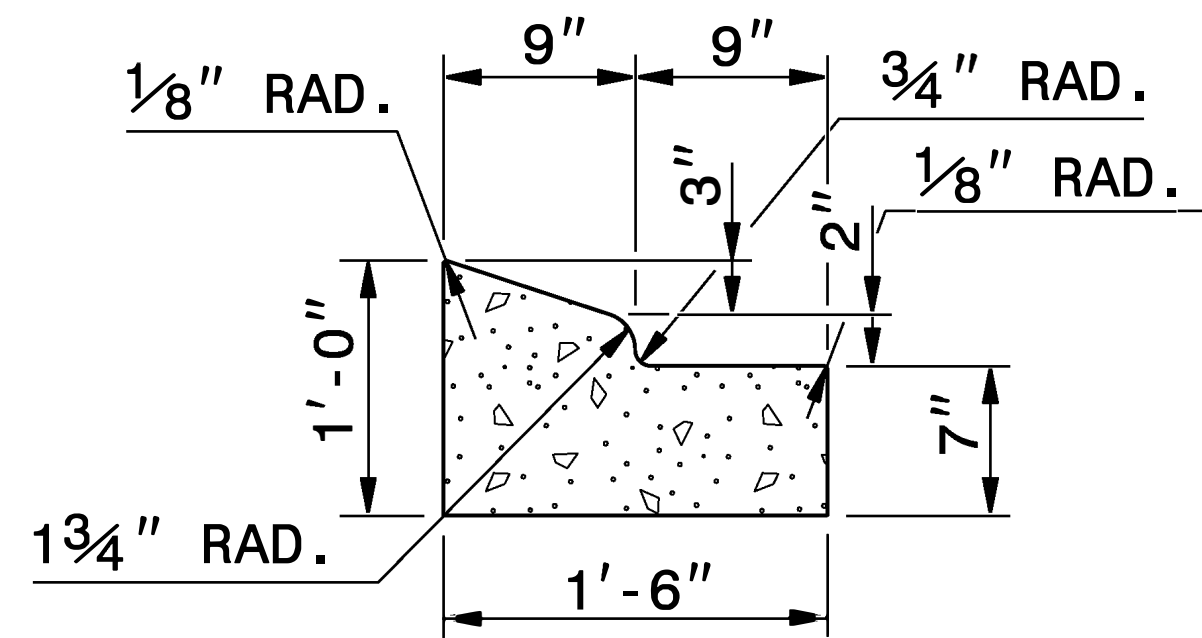


DOCUMENT NOT CONSIDERED FINAL
UNLESS ALL SIGNATURES COMPLETED

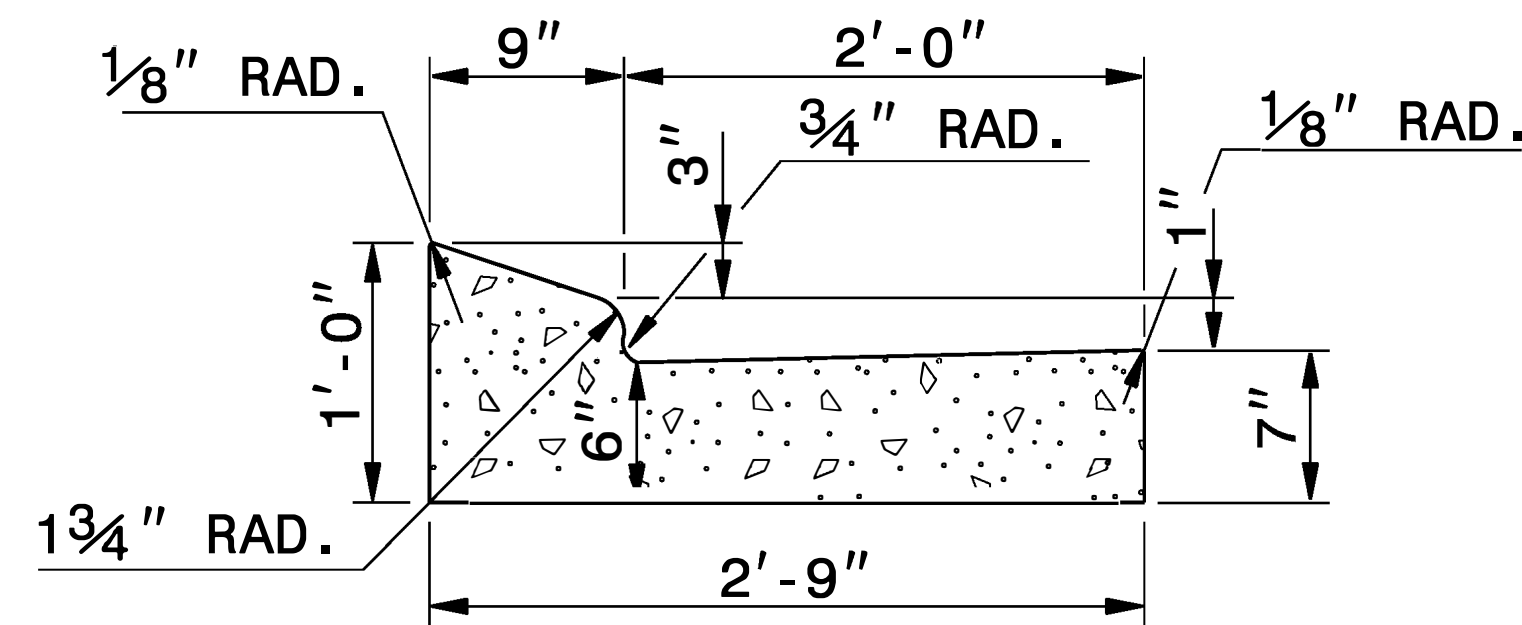
CONTRACT STANDARDS
AND DEVELOPMENT UNIT
Office 919-707-6950 FAX 919-250-4119

**DETAIL OF 1'-6"
TO 2'-9" CURB & GUTTER
TRANSITION SECTION**

ORIGINAL BY: T.S. SPELL DATE: NOV. 26, 2001
 MODIFIED BY: T.S. SPELL DATE: JAN. 23, 2007
 CHECKED BY: DATE:
 FILE SPEC.: DS174:/usr/details/stand/cattransit.dgn



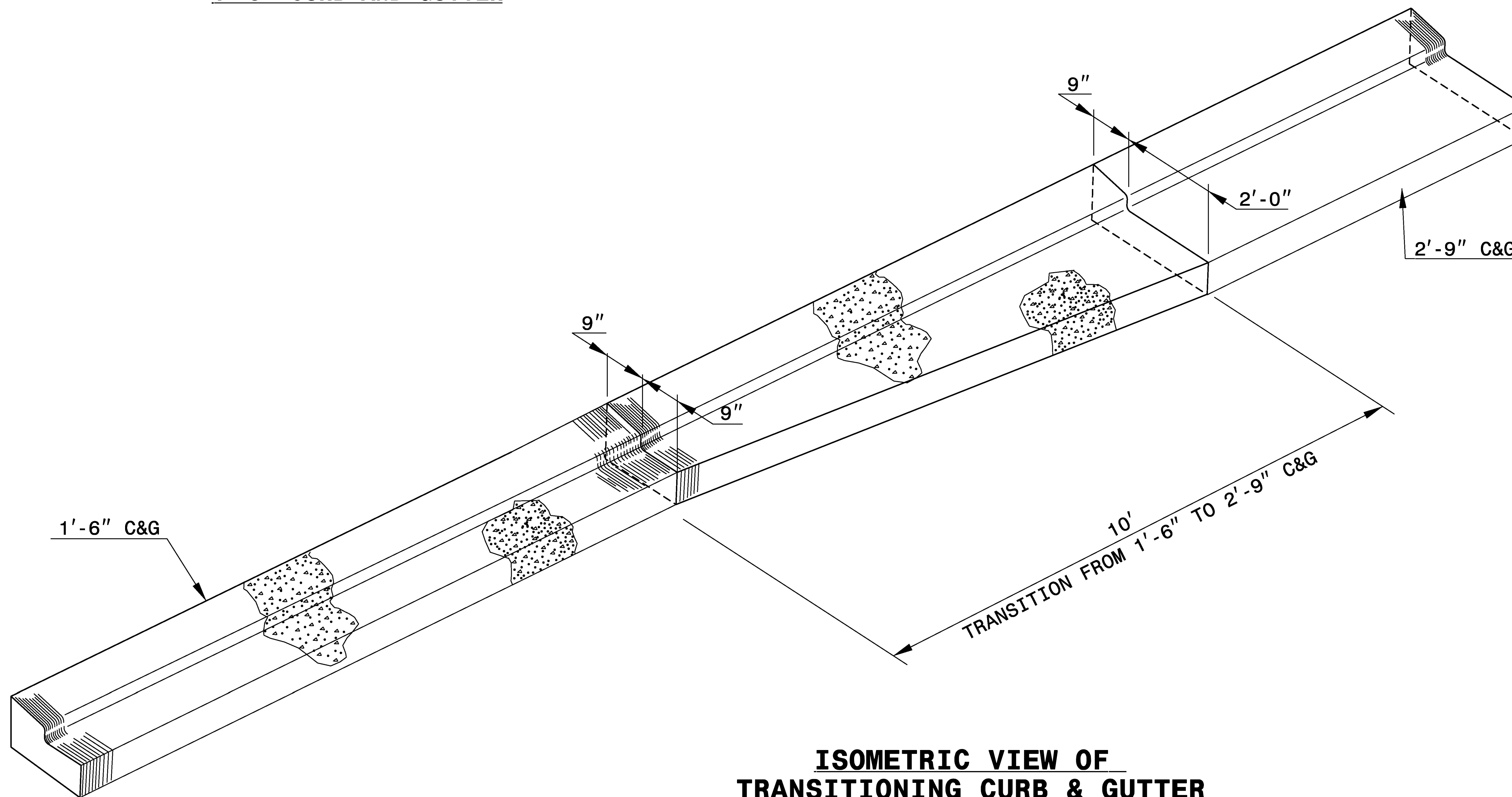
1'-6" CURB AND GUTTER



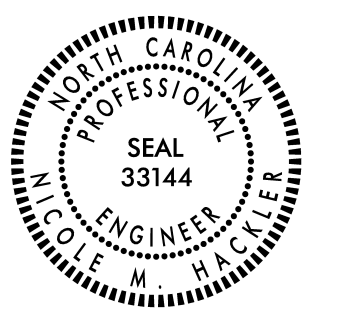
2'-9" CURB AND GUTTER

NOTE: SEE STD. DWG. 846.01 FOR ADDITIONAL CURB AND GUTTER INFORMATION.

SEE ROADWAY PLANS FOR LOCATION OF CURB TRANSITION.



**ISOMETRIC VIEW OF
TRANSITIONING CURB & GUTTER**

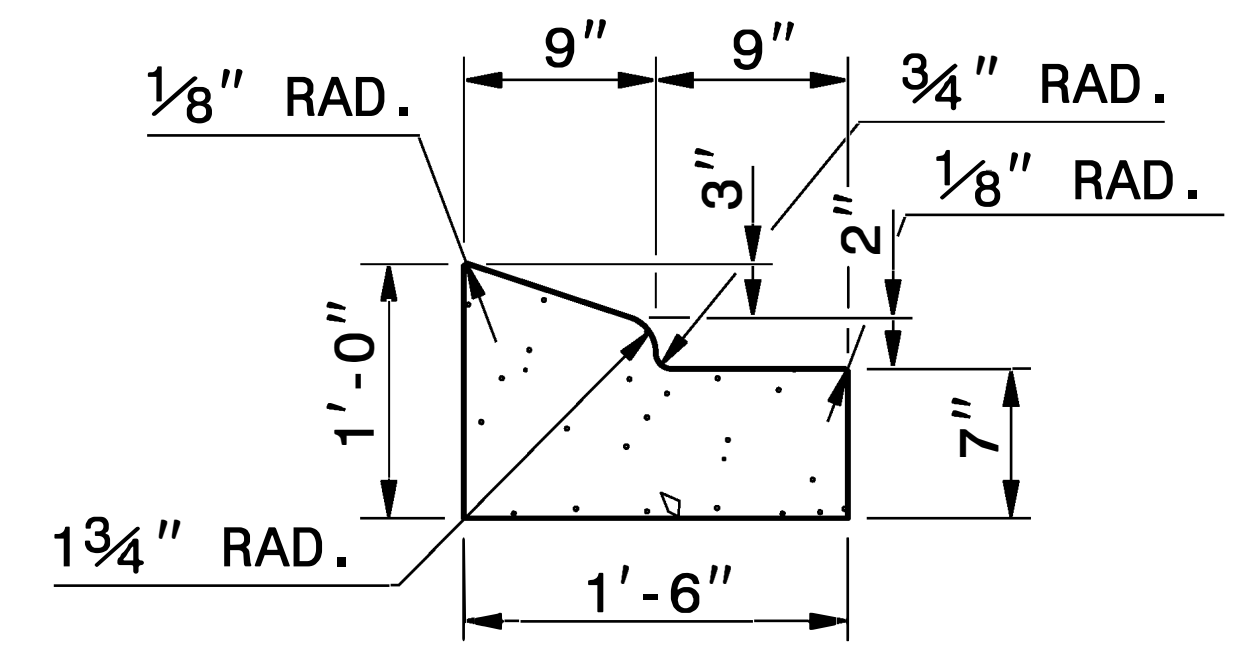


DOCUMENT NOT CONSIDERED FINAL
UNLESS ALL SIGNATURES COMPLETED

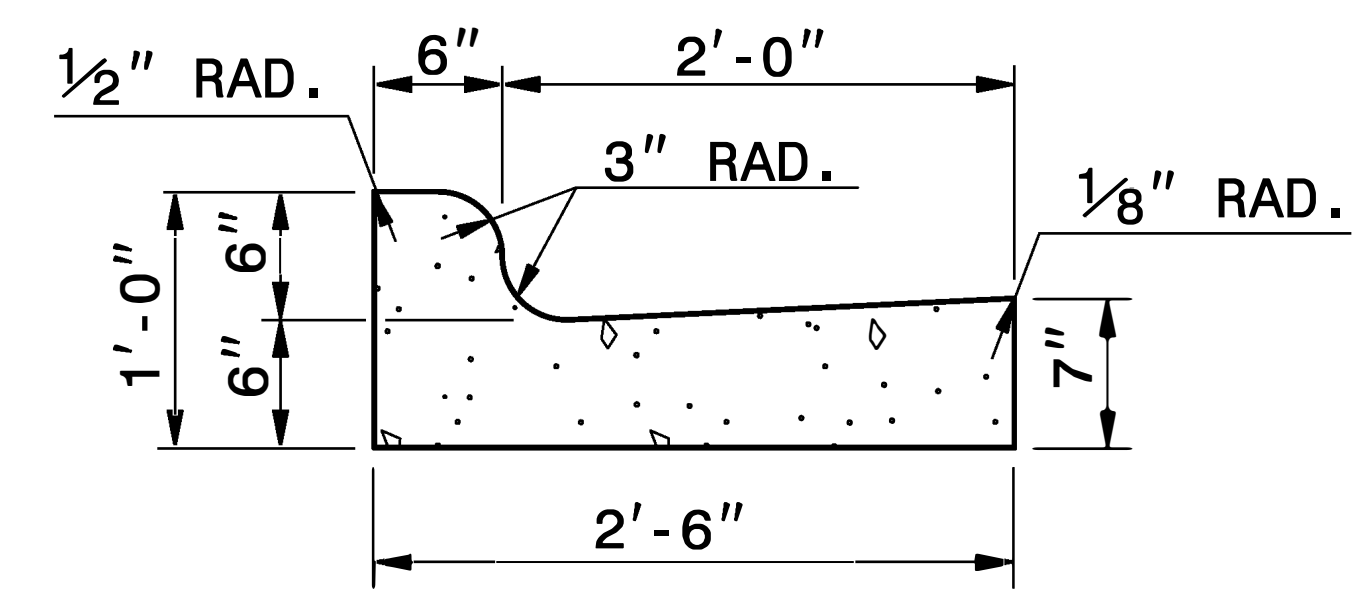
**CONTRACT STANDARDS
AND DEVELOPMENT UNIT**
Office 919-707-6950 FAX 919-250-4119

**DETAIL OF 1'-6"
TO 2'-9" CURB & GUTTER
TRANSITION SECTION**

ORIGINAL BY: T.S. SPELL DATE: NOV. 26, 2001
 MODIFIED BY: T.S. SPELL DATE: JAN. 23, 2007
 CHECKED BY: DATE:
 FILE SPEC.: DS174:\usr\details\stand\catransit.dgn

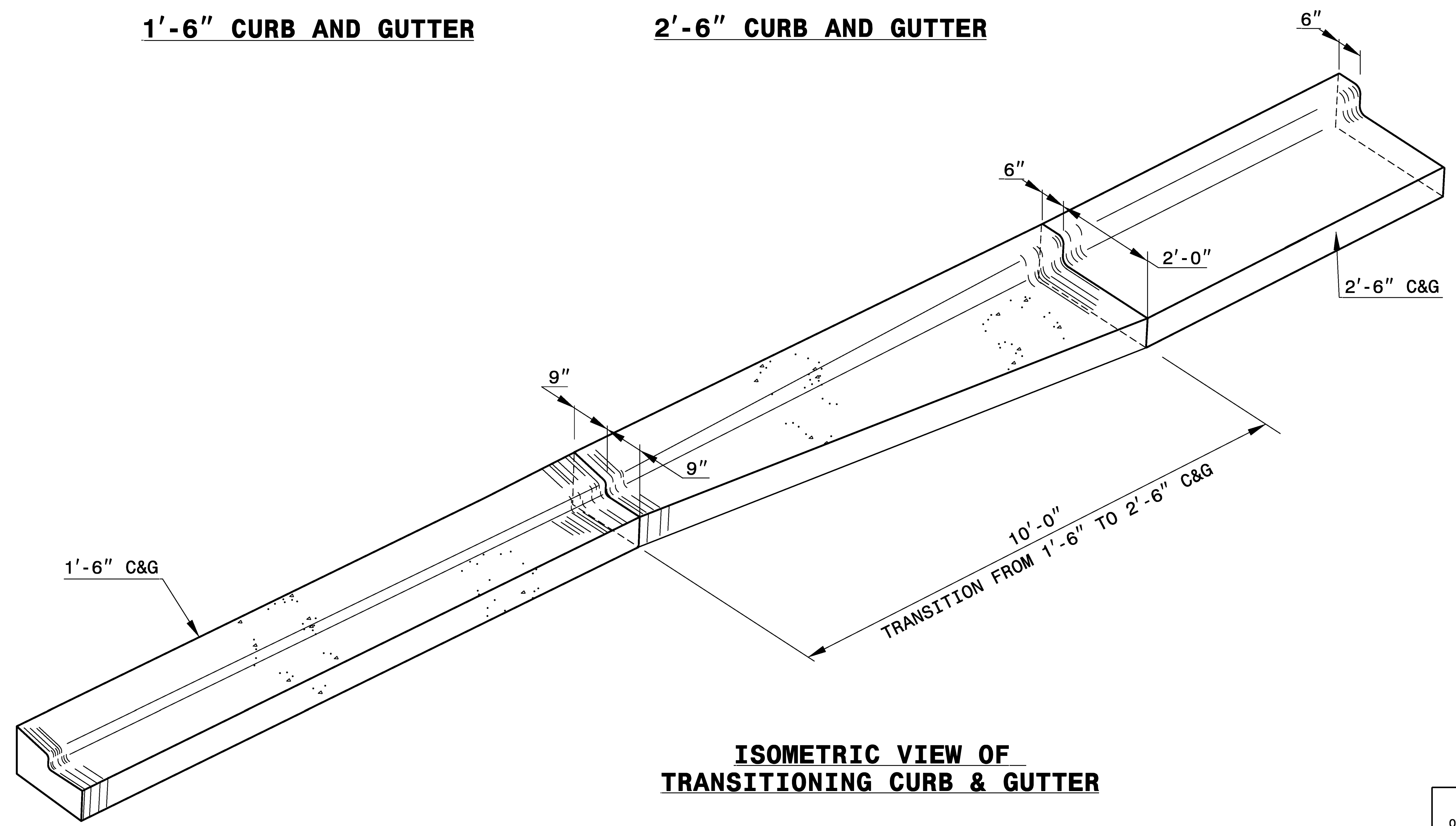


1'-6" CURB AND GUTTER

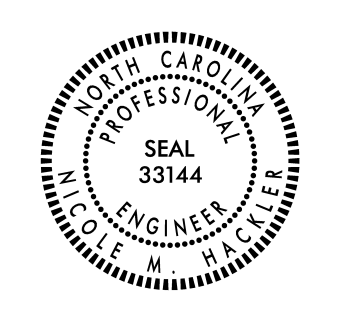


2'-6" CURB AND GUTTER

NOTE: SEE STD. DWG. 846.01 FOR ADDITIONAL CURB AND GUTTER INFORMATION.
SEE ROADWAY PLANS FOR LOCATION OF CURB TRANSITION.



ISOMETRIC VIEW OF TRANSITIONING CURB & GUTTER



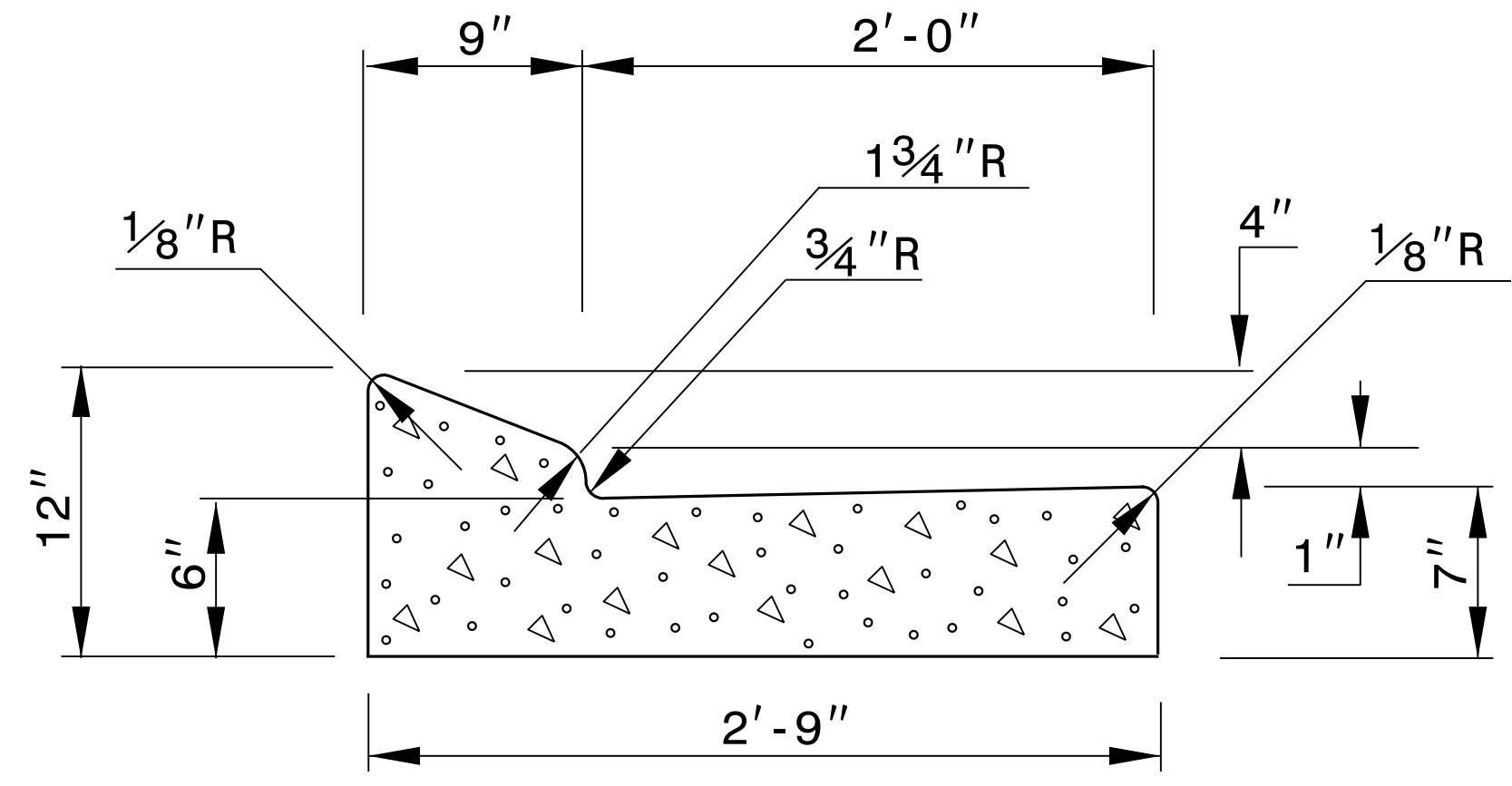
DOCUMENT NOT CONSIDERED FINAL UNLESS ALL SIGNATURES COMPLETED

CONTRACT STANDARDS AND DEVELOPMENT UNIT
Office 919-707-6950 FAX 919-250-4119

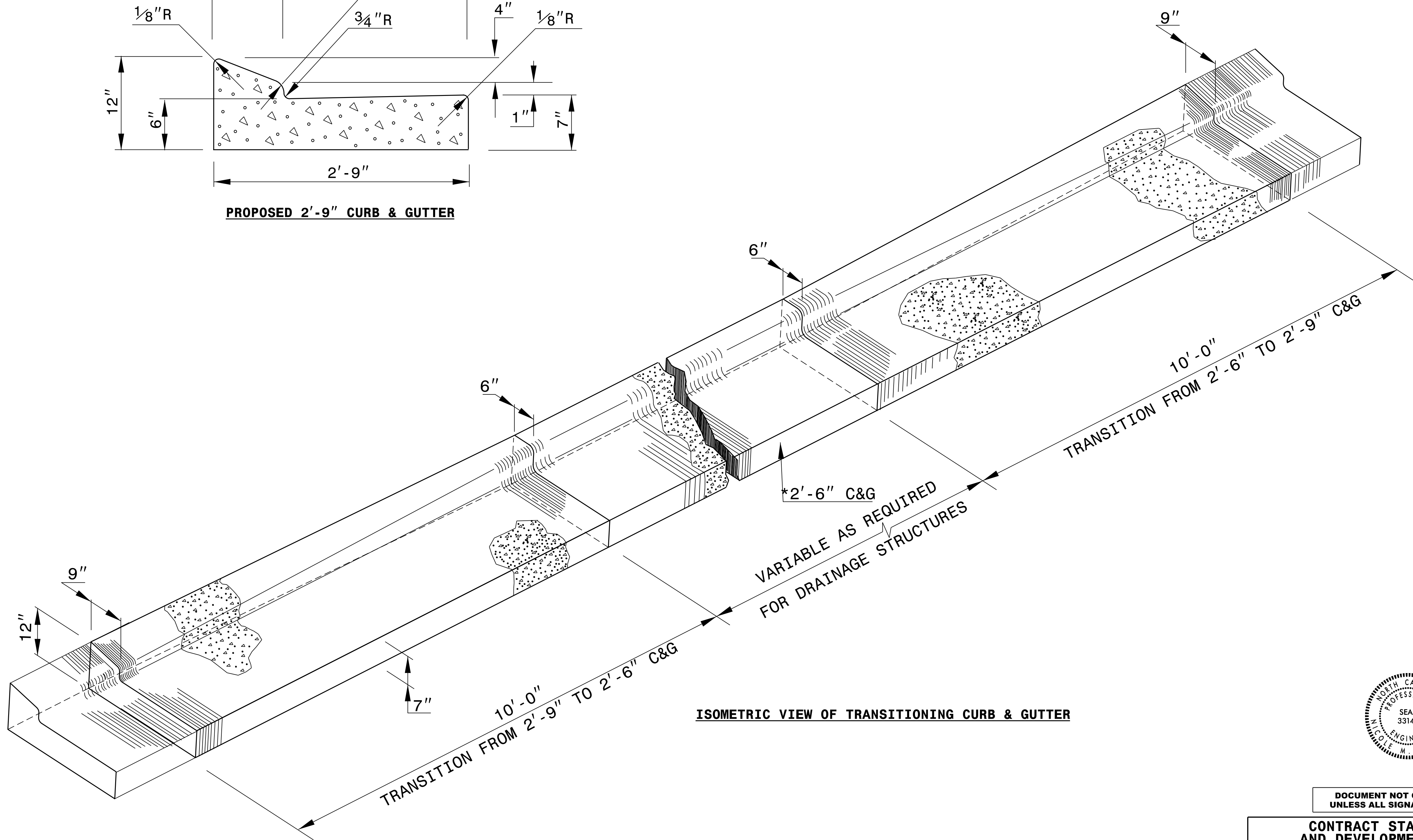
DETAIL OF 1'-6" TO 2'-6" CURB & GUTTER TRANSITION SECTION

ORIGINAL BY: T.S. SPELL DATE: MARCH 3, 2000
 MODIFIED BY: DATE:
 CHECKED BY: DATE:
 FILE SPEC.: DS174:/usr/details/stand/cgtransit.dgn

*NOTE: SEE STD. DWG. 846.01 FOR 2'-6" CURB AND GUTTER INFORMATION.



PROPOSED 2'-9" CURB & GUTTER



ISOMETRIC VIEW OF TRANSITIONING CURB & GUTTER

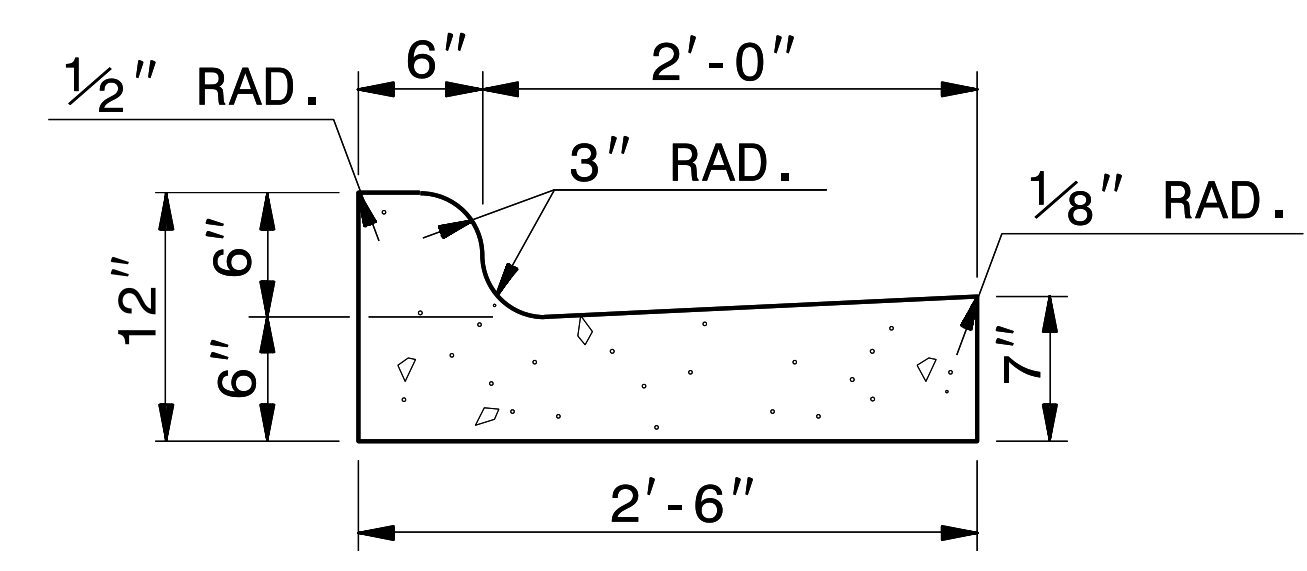


DOCUMENT NOT CONSIDERED FINAL UNLESS ALL SIGNATURES COMPLETED

CONTRACT STANDARDS AND DEVELOPMENT UNIT
Office 919-707-6950 FAX 919-250-4119

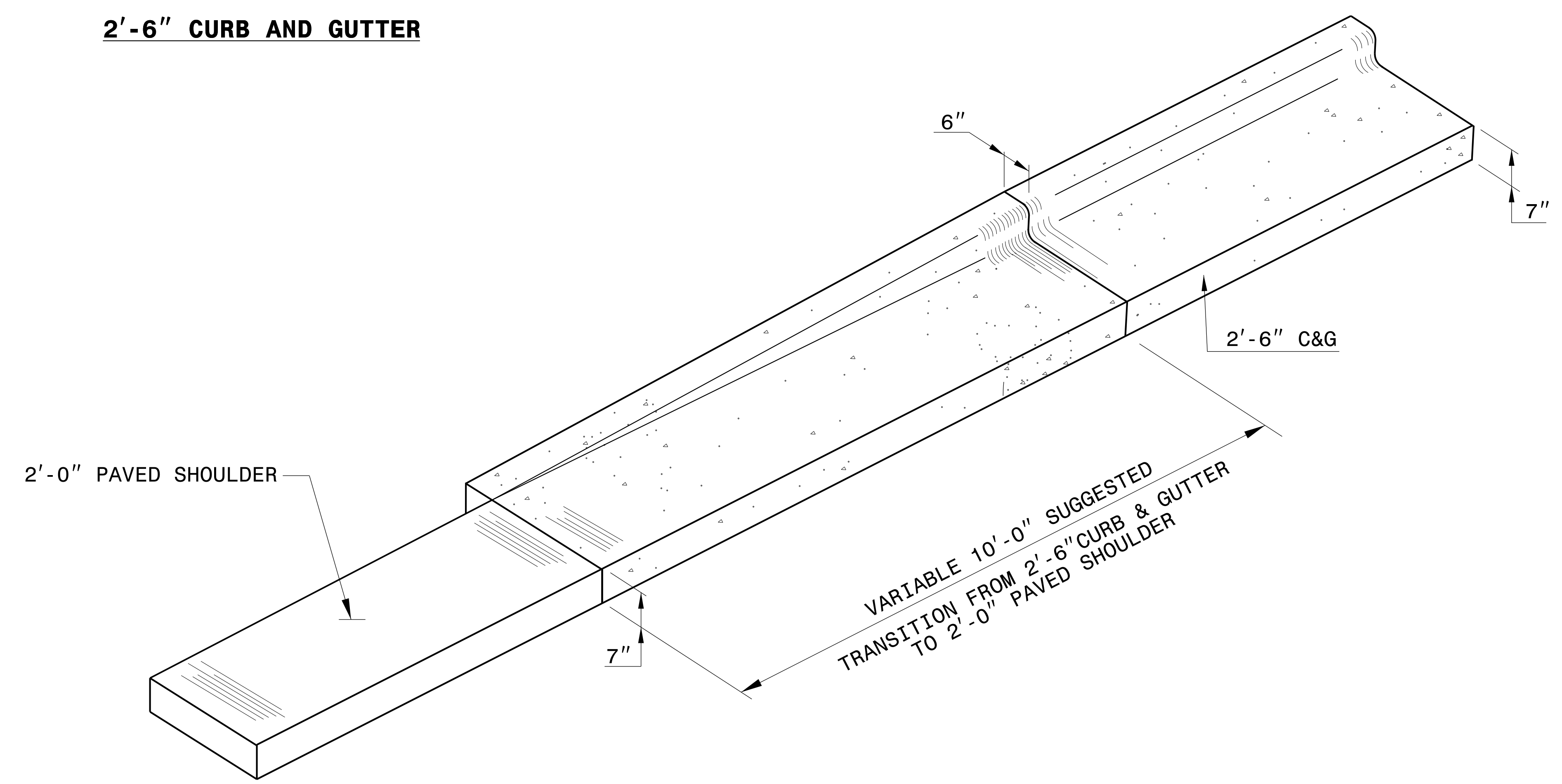
DETAIL OF 2'-9" TO 2'-6" CURB & GUTTER TRANSITION SECTION

ORIGINAL BY: _____ DATE: _____
 MODIFIED BY: _____ DATE: _____
 CHECKED BY: _____ DATE: _____
 FILE SPEC.: D8174:/usr/details/stand/cgtransit.dgn



2'-6" CURB AND GUTTER

***NOTE: SEE STD. DWG. 846.01 FOR GENERAL NOTES**



ISOMETRIC VIEW OF TRANSITION



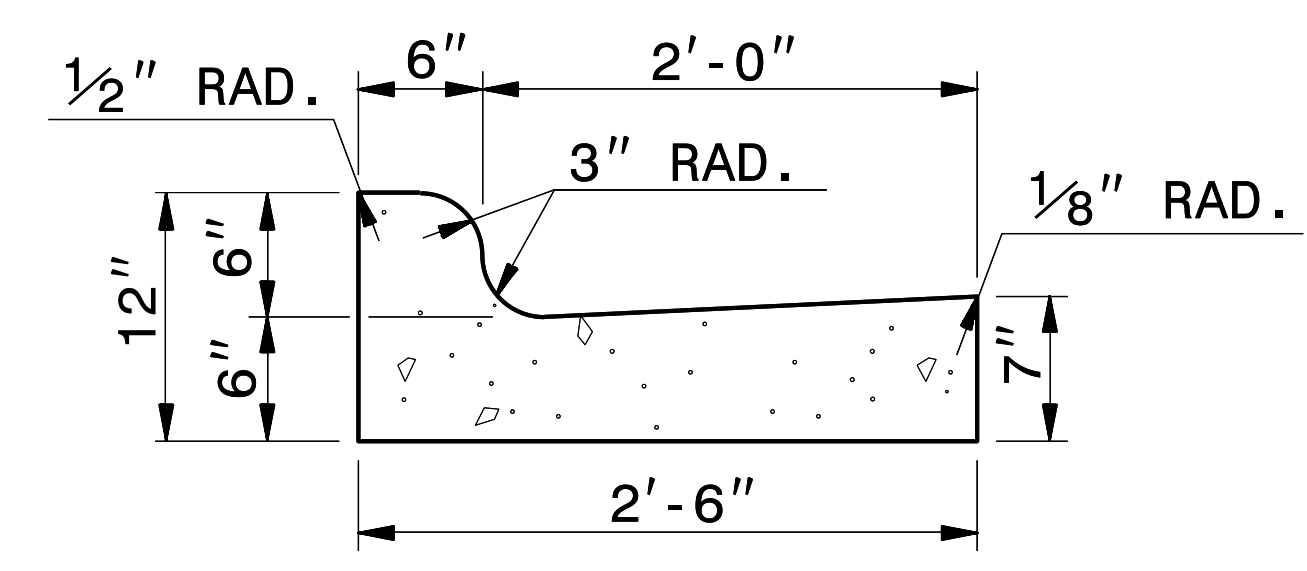
DOCUMENT NOT CONSIDERED FINAL
UNLESS ALL SIGNATURES COMPLETED

**CONTRACT STANDARDS
AND DEVELOPMENT UNIT**
Office 919-707-6950 FAX 919-250-4119

**DETAIL OF 10' TRANSITION
FROM 2'-6" CURB & GUTTER
TO 2'-0" PAVED SHOULDER**

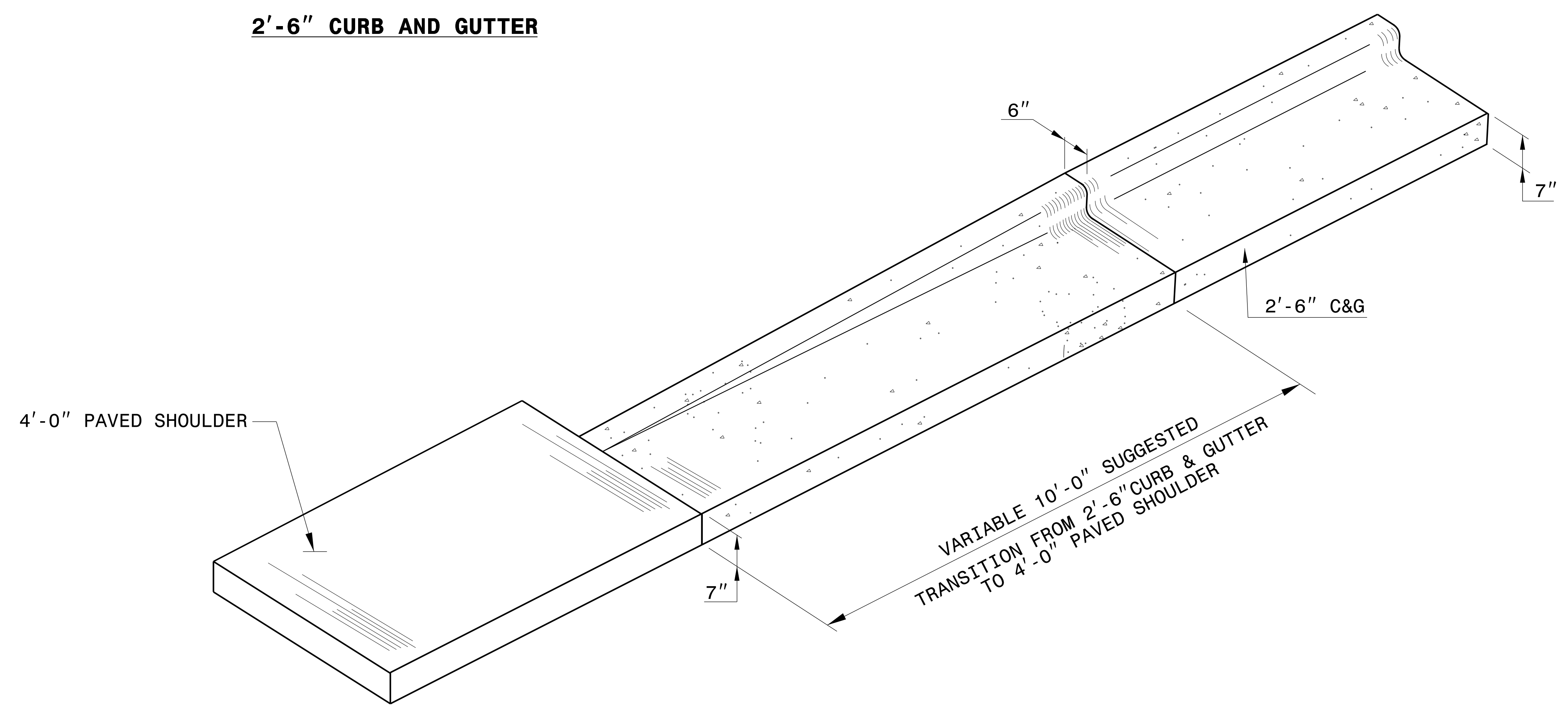
ORIGINAL BY: _____ DATE: _____
 MODIFIED BY: rnbritt DATE: 04-13-2016
 CHECKED BY: _____ DATE: _____
 FILE SPEC: details/nbritt/english/misc/c&g transition sections.dgn

5/14/99
 I:\MAR-2020\1630
 S:\Contracts\Special Details\english\misc\c&g transition sections.dgn
 J.Overton AT USD-320965



2'-6" CURB AND GUTTER

***NOTE: SEE STD. DWG. 846.01 FOR GENERAL NOTES**



ISOMETRIC VIEW OF TRANSITION



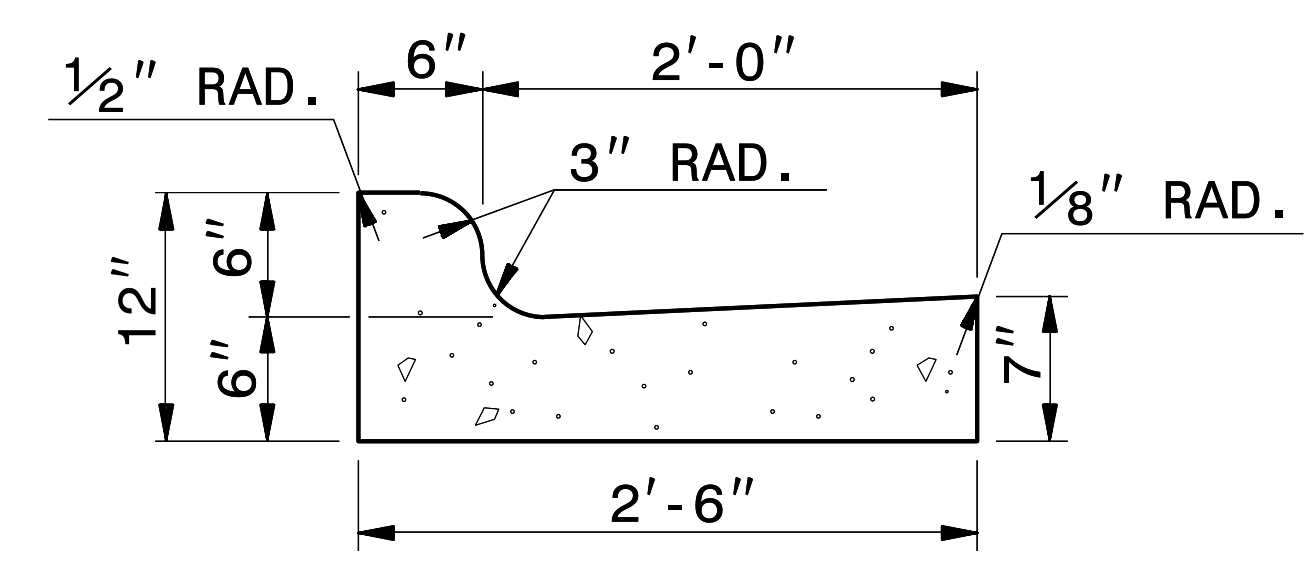
DOCUMENT NOT CONSIDERED FINAL UNLESS ALL SIGNATURES COMPLETED

CONTRACT STANDARDS AND DEVELOPMENT UNIT
Office 919-707-6950 FAX 919-250-4119

DETAIL OF 10' TRANSITION FROM 2'-6" CURB & GUTTER TO 4'-0" PAVED SHOULDER

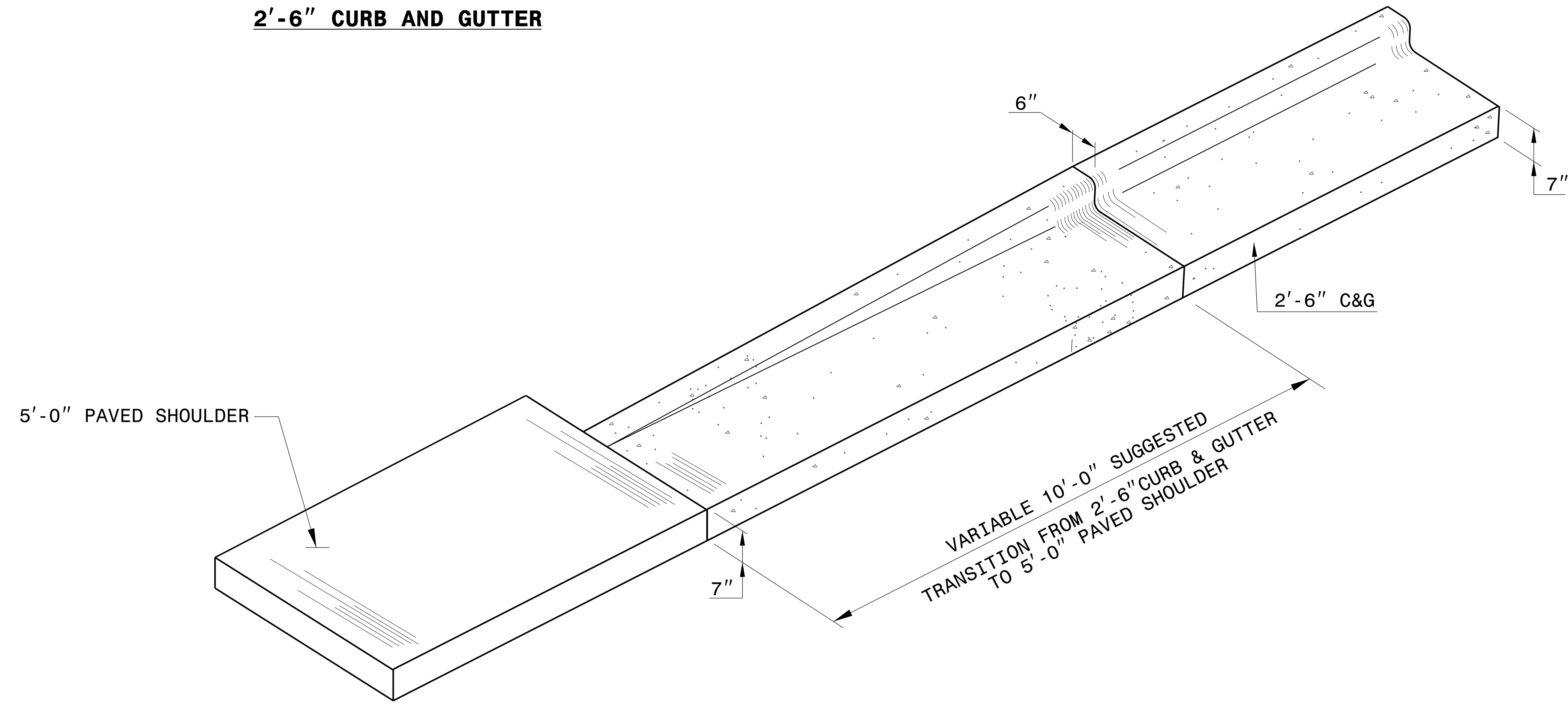
ORIGINAL BY: _____	DATE: _____
MODIFIED BY: <u>rnbritt</u>	DATE: <u>04-13-2016</u>
CHECKED BY: _____	DATE: _____
FILE SPEC: <u>details/nbritt/english/misc/c&g transition sections.dgn</u>	

5/14/99
 I:\MAR-2020\1425
 S:\Contracts\Special Details\english\misc\c&g transition sections.dgn
 J:\overton AT USD-320965



2'-6" CURB AND GUTTER

***NOTE: SEE STD. DWG. 846.01 FOR GENERAL NOTES**



ISOMETRIC VIEW OF TRANSITION



DOCUMENT NOT CONSIDERED FINAL UNLESS ALL SIGNATURES COMPLETED

CONTRACT STANDARDS AND DEVELOPMENT UNIT
Office 919-707-6950 FAX 919-250-4119

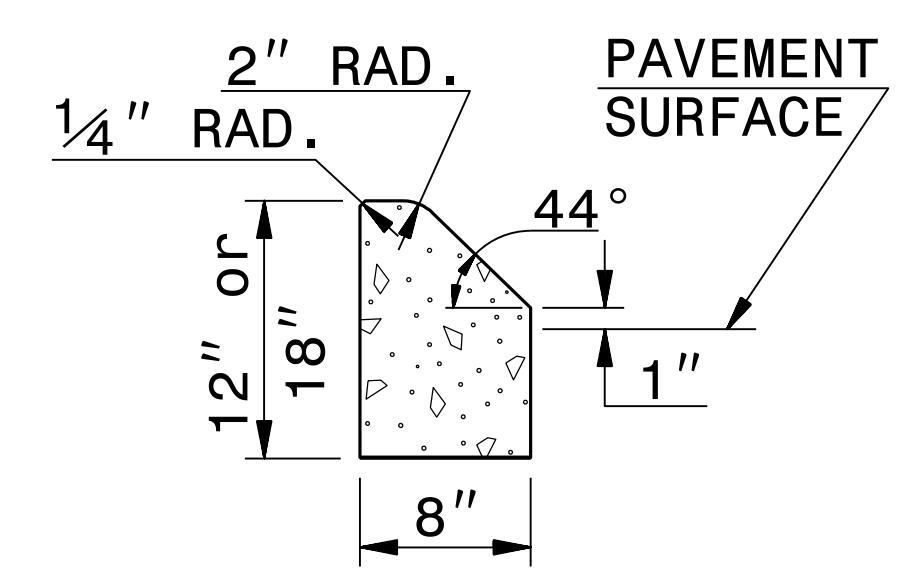
DETAIL OF 10' TRANSITION FROM 2'-6" CURB & GUTTER TO 5'-0" PAVED SHOULDER

ORIGINAL BY: _____	DATE: _____
MODIFIED BY: rnbritt	DATE: 04-13-2016
CHECKED BY: _____	DATE: _____
FILE SPEC: details/nbritt/english/misc/c&g_transition_sections.dgn	

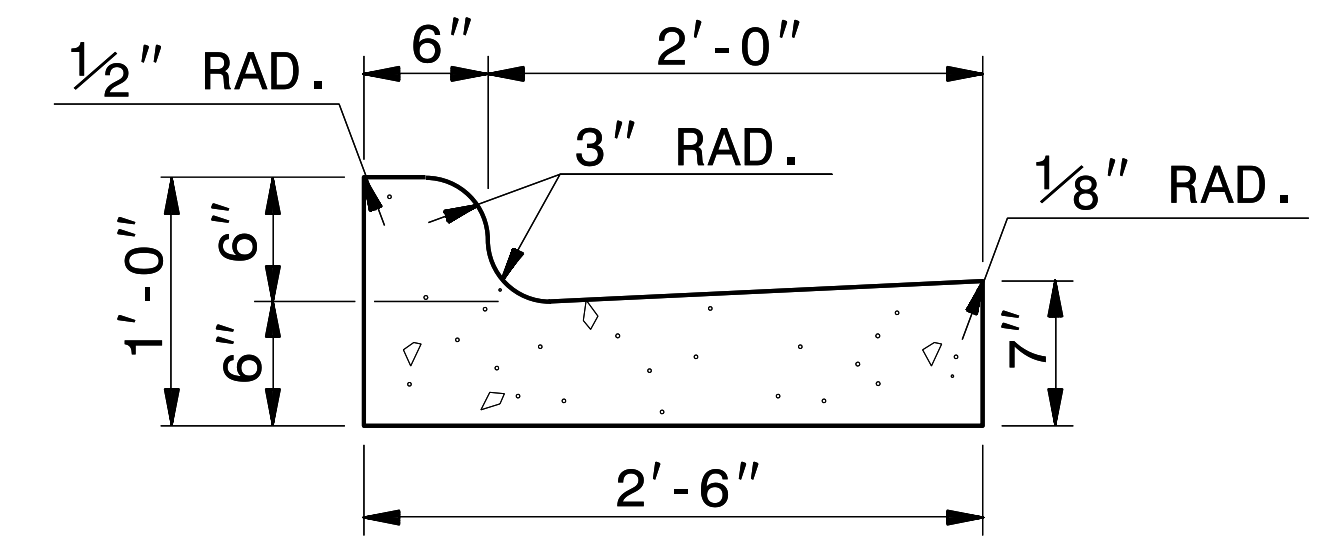
26-JUN-2019 07:46
 S:\Contracts\Special Details\english\misc\c&g_transition_sections.dgn
 .jhoverton AT CSD-292595

5/14/99

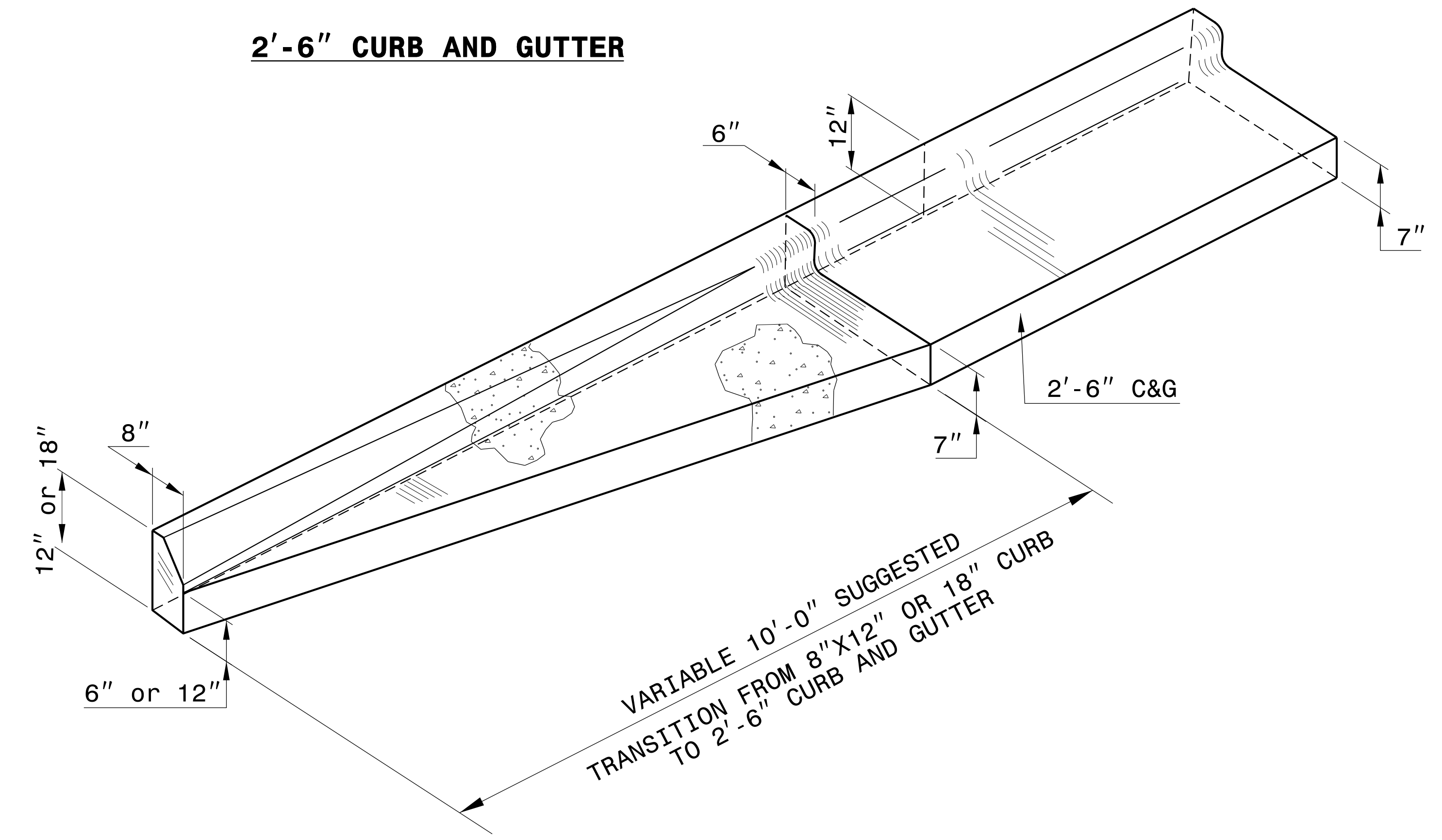
*NOTE: SEE STD. DWG. 846.01
FOR GENERAL NOTES



8" X 12" or 18" CONCRETE CURB



2'-6" CURB AND GUTTER



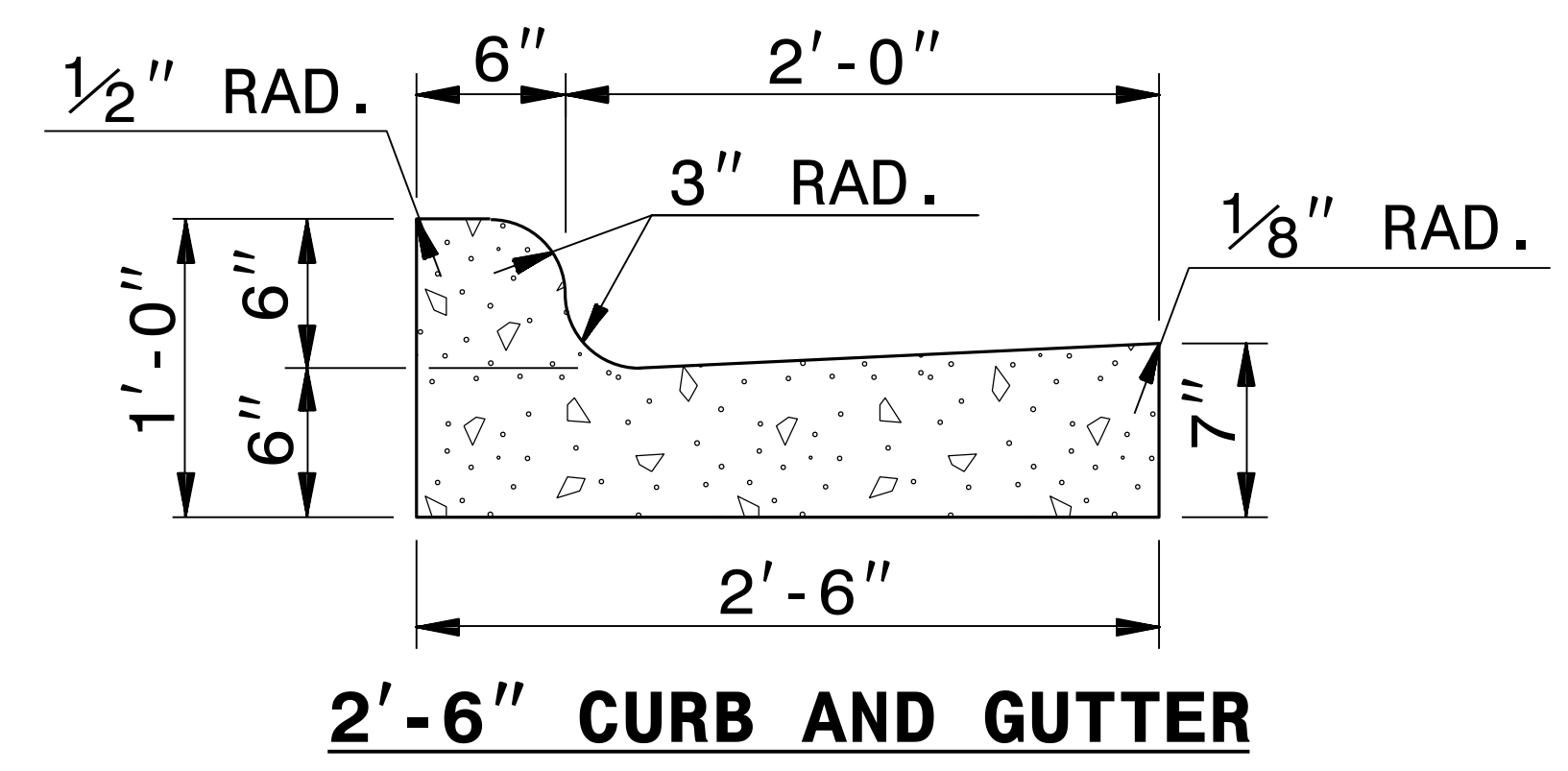
ISOMETRIC VIEW OF TRANSITION



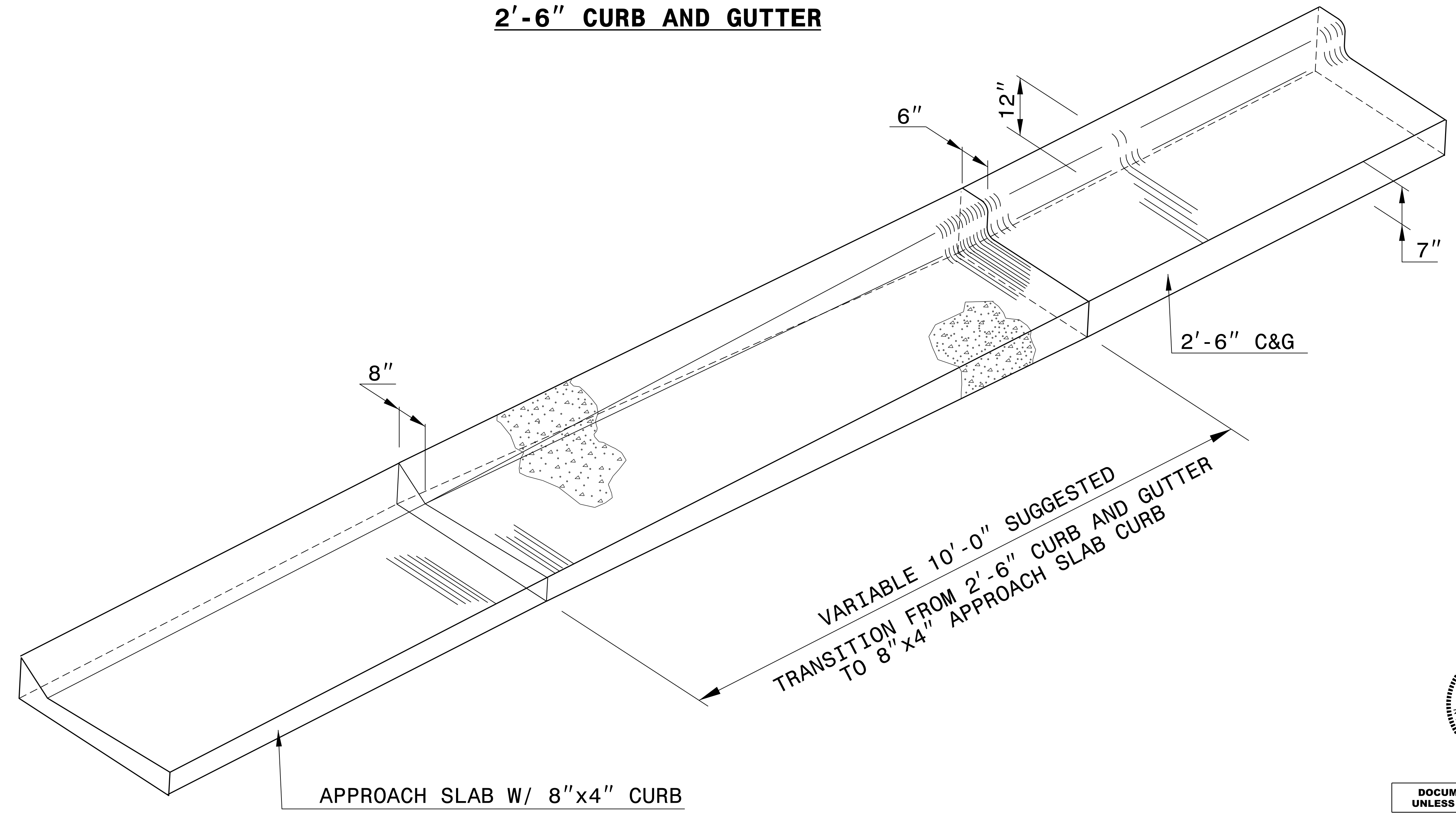
DOCUMENT NOT CONSIDERED FINAL
UNLESS ALL SIGNATURES COMPLETED

CONTRACT STANDARDS AND DEVELOPMENT UNIT	
Office 919-707-6950	FAX 919-250-4119
DETAIL OF 8" X 12" or 18" CURB TO 2'-6" CURB & GUTTER TRANSITION SECTION	
ORIGINAL BY: _____	DATE: _____
MODIFIED BY: K. KEMPF	DATE: 4-05-18
CHECKED BY: _____	DATE: _____
FILE SPEC.: details/ericward/usr/details/stand/cgtransit.dgn	

I:\3-MAR-2019_09450
 S:\Contracts\Contractors\Special Details\ericward\usr\details\stand\c&g transition sections.dgn
 .jhoverton AT USD-292595



*NOTE: SEE STD. DWG. 846.01 FOR GENERAL NOTES

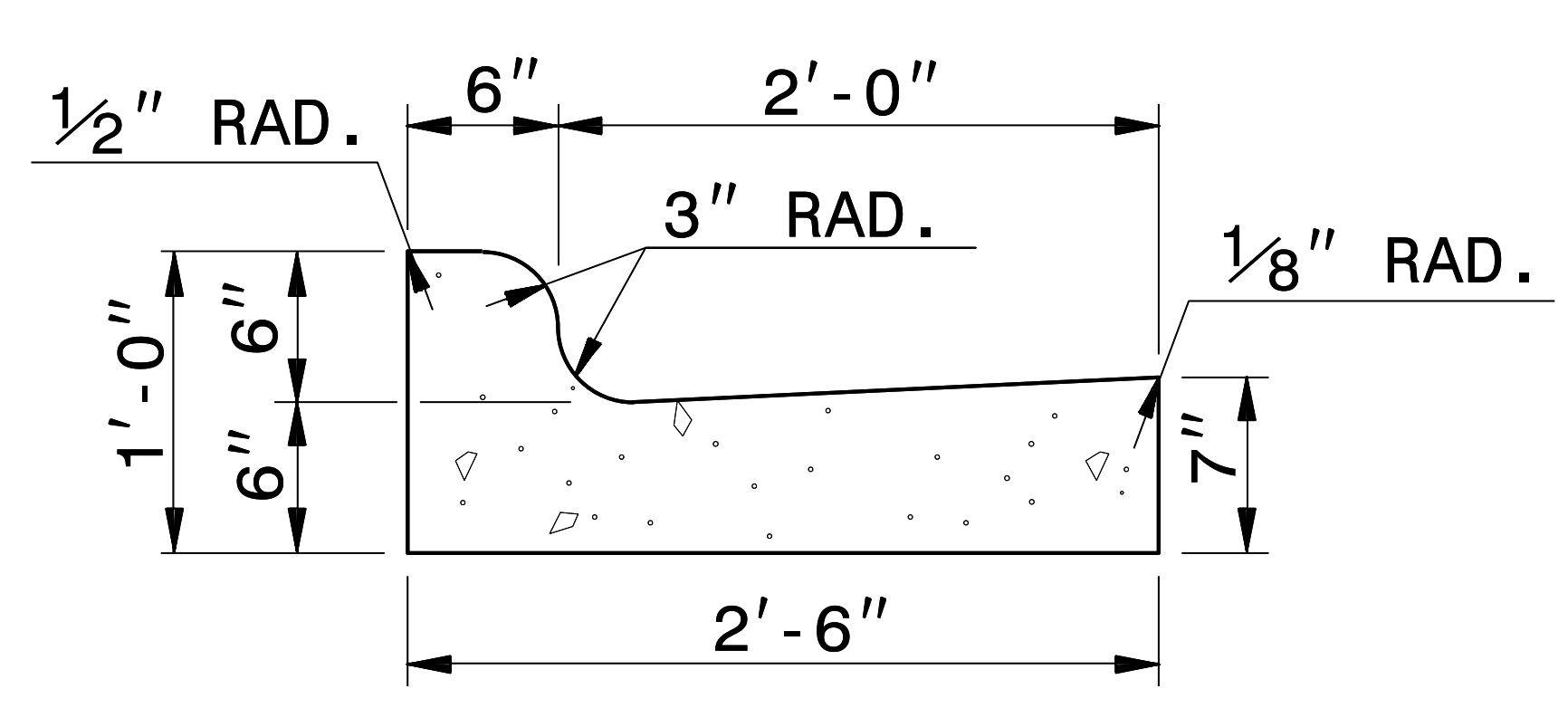


DOCUMENT NOT CONSIDERED FINAL UNLESS ALL SIGNATURES COMPLETED

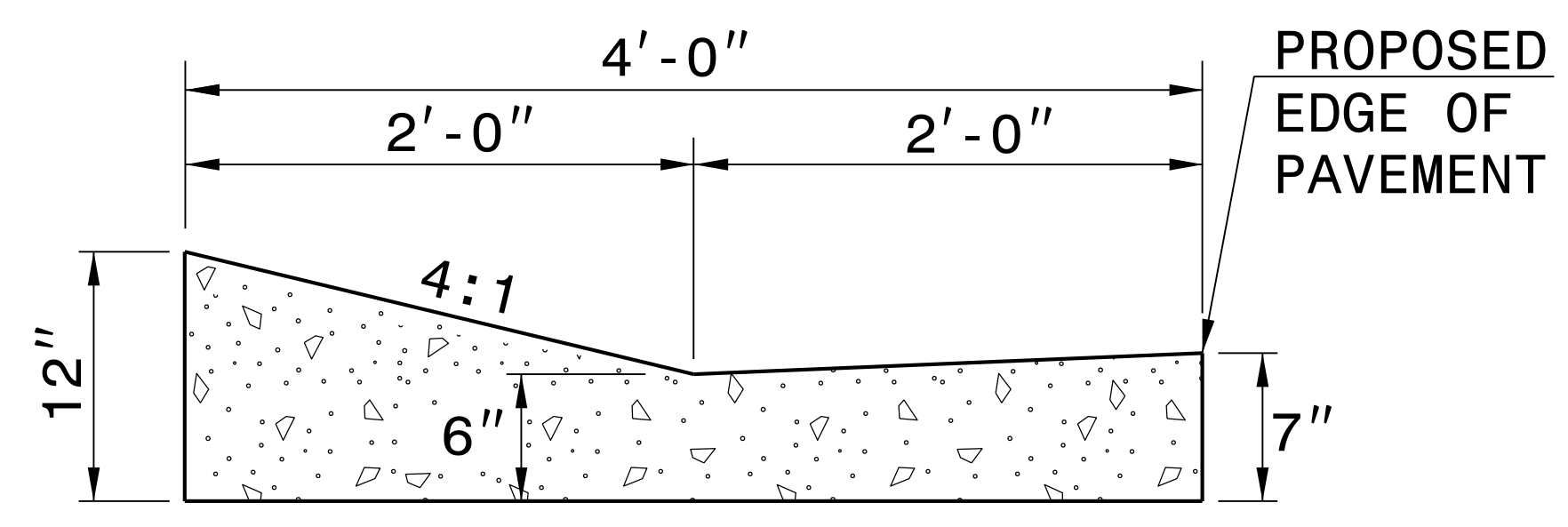
CONTRACT STANDARDS AND DEVELOPMENT UNIT	
Office 919-707-6950	FAX 919-250-4119
DETAIL OF 2'-6" CURB & GUTTER TO 8"x4" APPROACH SLAB CURB TRANSITION SECTION	
ORIGINAL BY: E.E. WARD	DATE: 5-29-02
MODIFIED BY:	DATE:
CHECKED BY:	DATE:
FILE SPEC.: /usr/details/stand/cgtransit.dgn	

08-JAN-2020 09:26 S:\Contracts\Special Details\vericard\usr\details\stand\c&g transition sections.dgn Jhowerston AT USD-320965

5/14/99

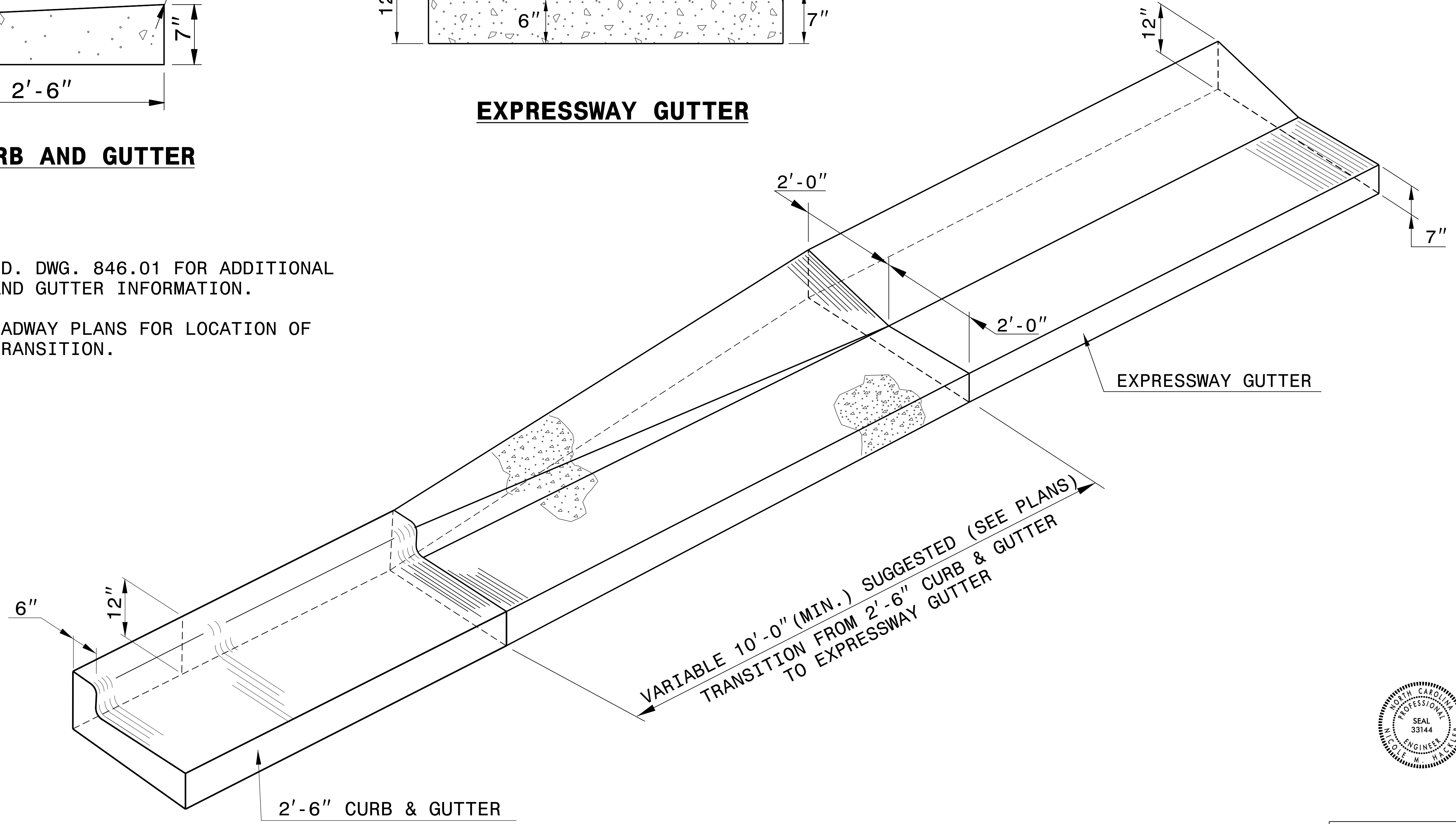


2'-6" CURB AND GUTTER

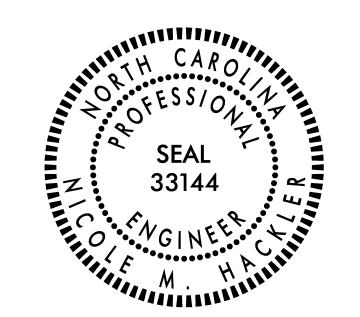


EXPRESSWAY GUTTER

NOTE: SEE STD. DWG. 846.01 FOR ADDITIONAL CURB AND GUTTER INFORMATION.
SEE ROADWAY PLANS FOR LOCATION OF CURB TRANSITION.



ISOMETRIC VIEW OF TRANSITION



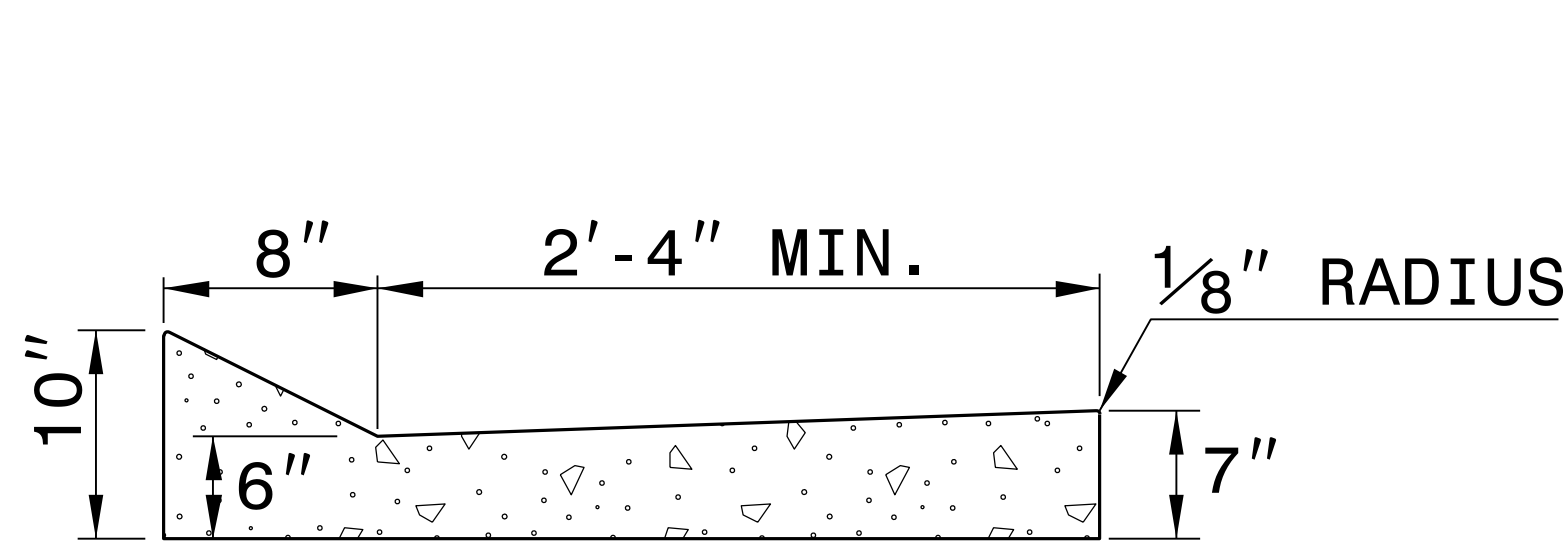
DOCUMENT NOT CONSIDERED FINAL UNLESS ALL SIGNATURES COMPLETED

CONTRACT STANDARDS AND DEVELOPMENT UNIT
Office 919-707-6950 FAX 919-250-4119
DETAIL OF 2'-6" CURB & GUTTER TO EXPRESSWAY GUTTER TRANSITION SECTION

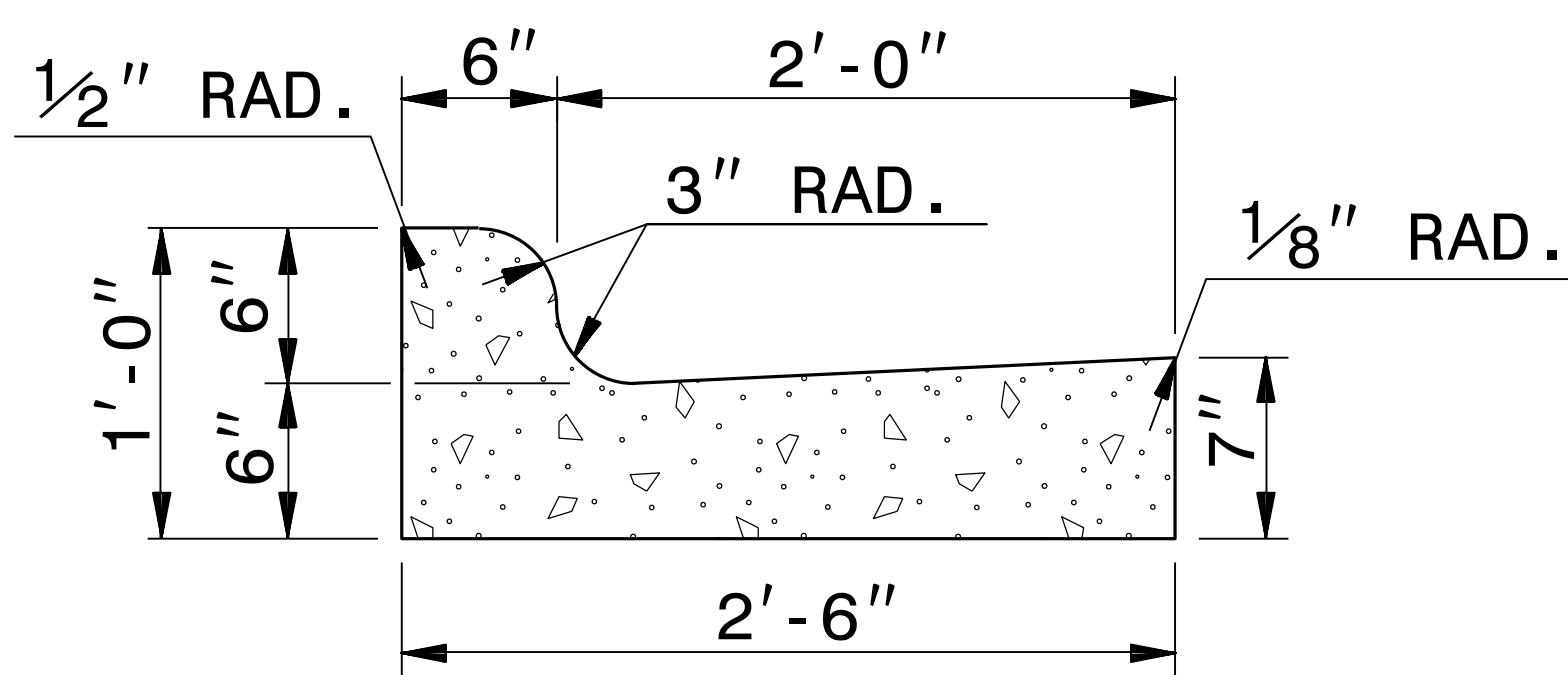
ORIGINAL BY: T.S.Spell DATE: 8-13-02
MODIFIED BY: DATE:
CHECKED BY: DATE:
FILE SPEC.: w:usr/details/stand/cgtransit.dgn

05-OCT-2017 08:23 S:\Contracts\Contractors\Special Details\Vericard\usr\details\stand\c&g transition sections.dgn Jhoweron AT USD-292595

5/14/99

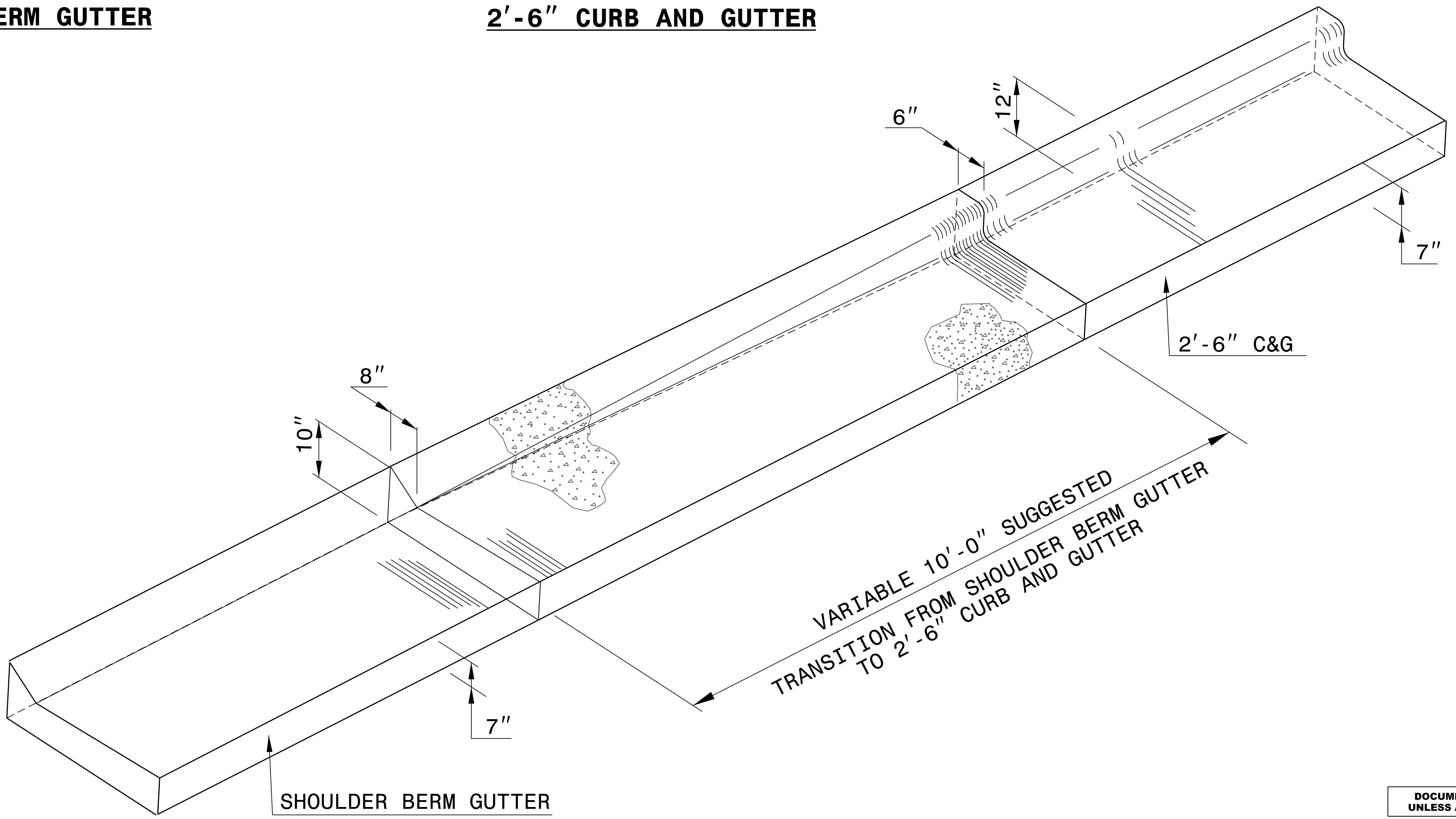


SHOULDER BERM GUTTER

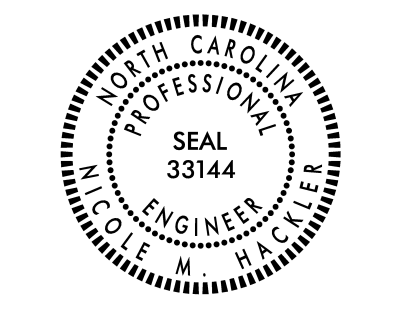


2'-6" CURB AND GUTTER

*NOTE: SEE STD. DWG. 846.01 FOR GENERAL NOTES



ISOMETRIC VIEW OF TRANSITION



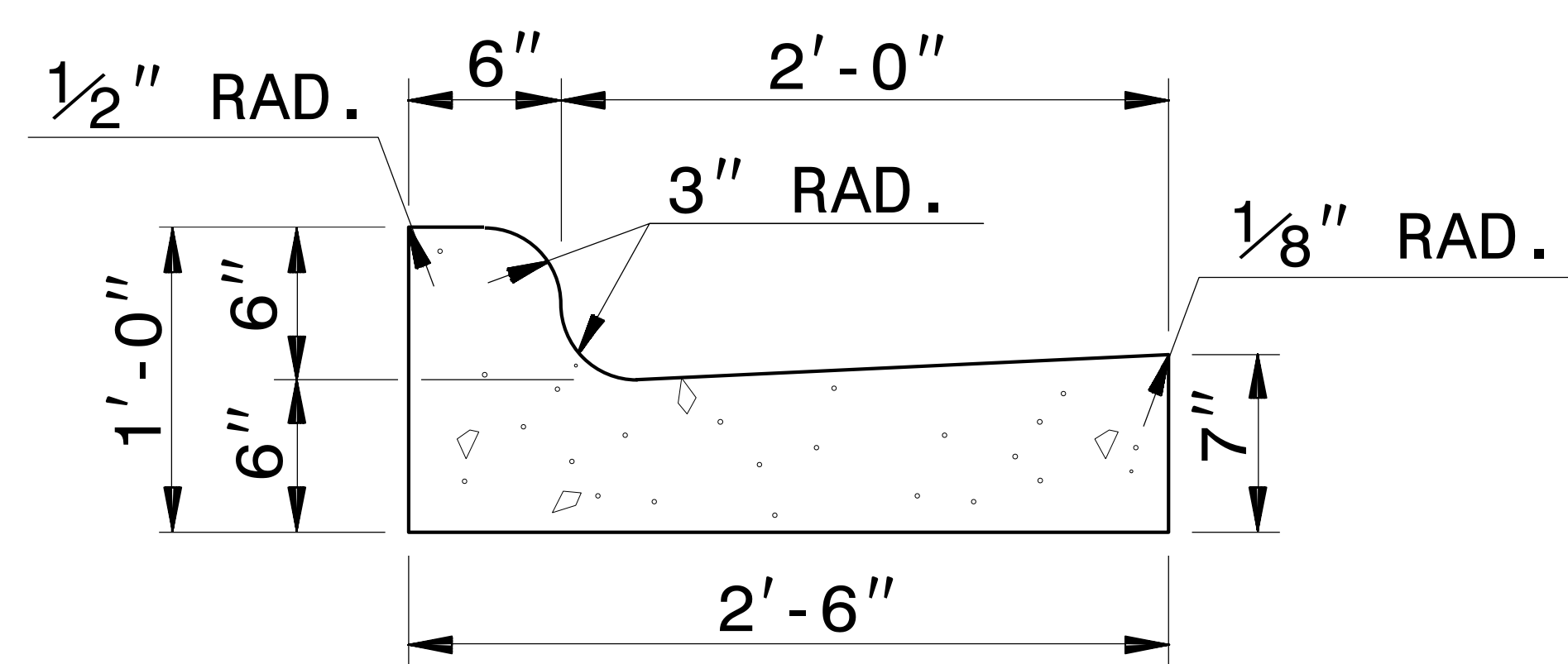
DOCUMENT NOT CONSIDERED FINAL
UNLESS ALL SIGNATURES COMPLETED

**CONTRACT STANDARDS
AND DEVELOPMENT UNIT**
Office 919-707-6950 FAX 919-250-4119

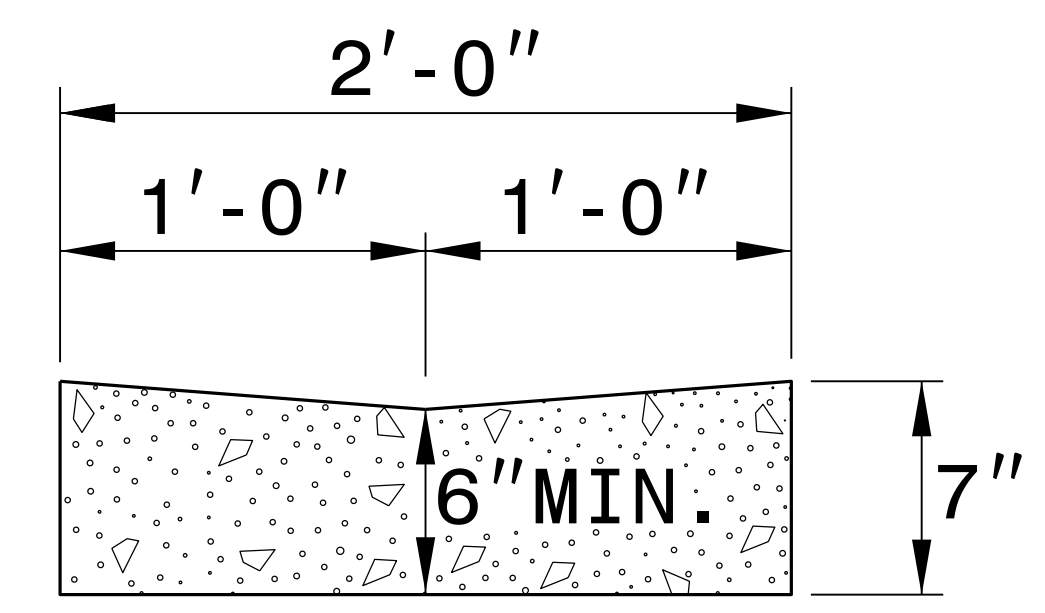
**DETAIL OF SHOULDER BERM GUTTER
TO 2'-6" CURB & GUTTER
TRANSITION SECTION**

ORIGINAL BY: E.E. WARD DATE: 5-29-02
 MODIFIED BY: DATE:
 CHECKED BY: DATE:
 FILE SPEC.: /usr/details/stand/cgtransit.dgn

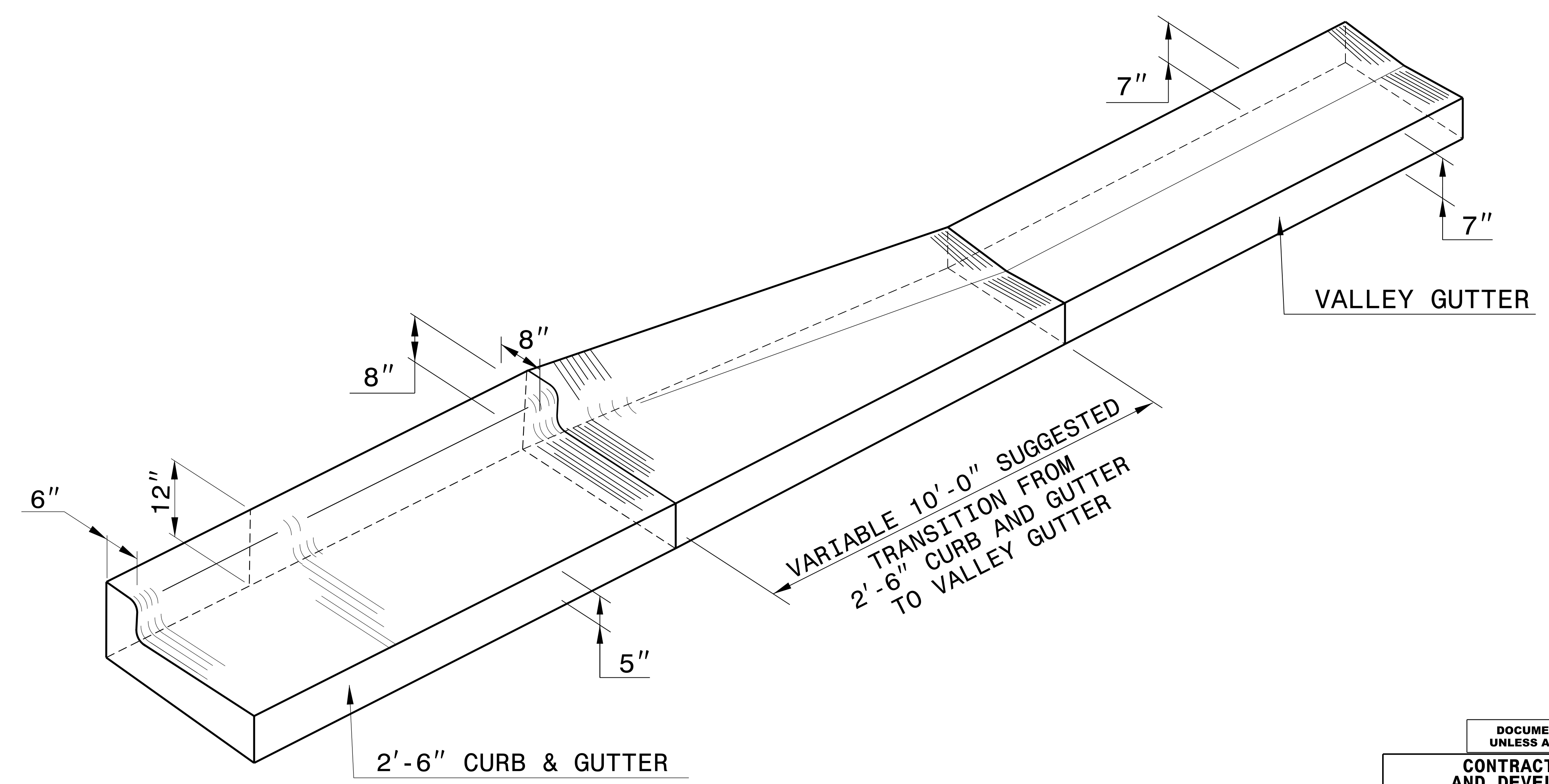
*NOTE: SEE STD. DWG. 846.01
FOR GENERAL NOTES



2'-6" CURB AND GUTTER

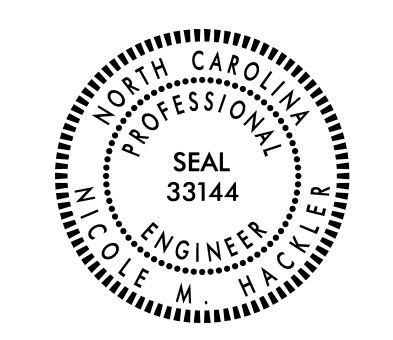


VALLEY GUTTER



ISOMETRIC VIEW OF TRANSITION

07-SEP-2017 08:20 S:\Contracts\Special Details\vericard\usr\details\stand\c&g transition sections.dgn Jhoweron AT USD-292595

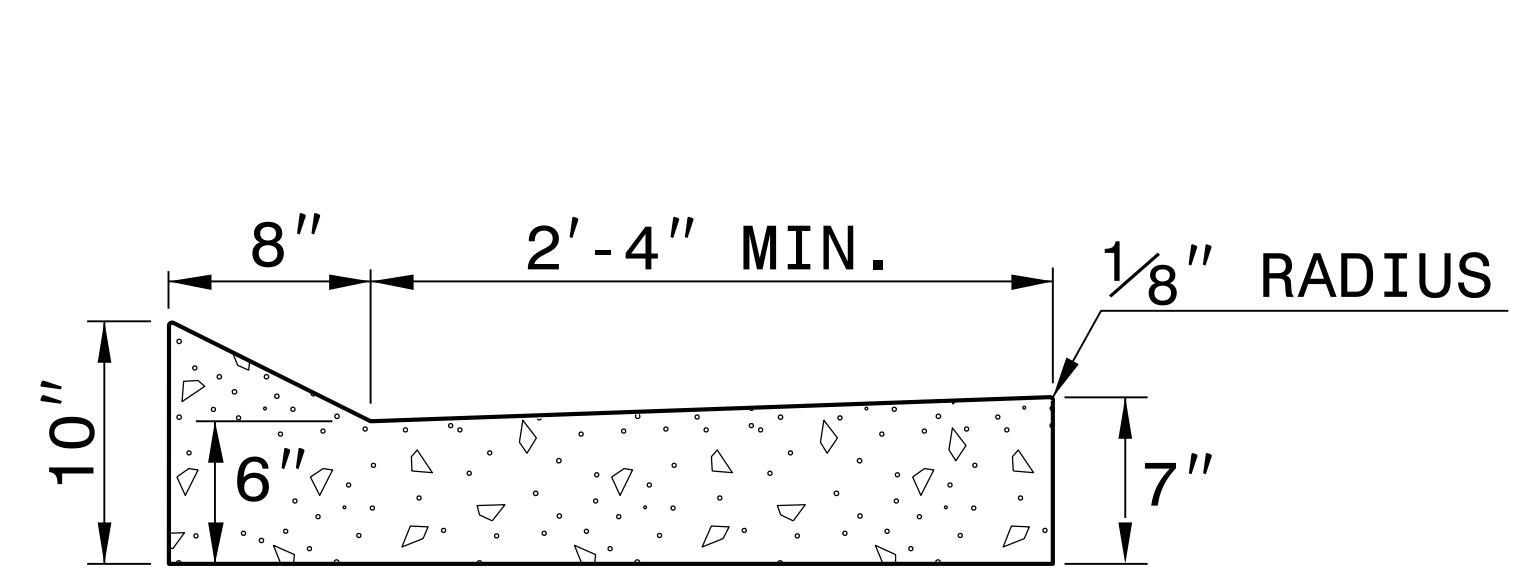


DOCUMENT NOT CONSIDERED FINAL
UNLESS ALL SIGNATURES COMPLETED

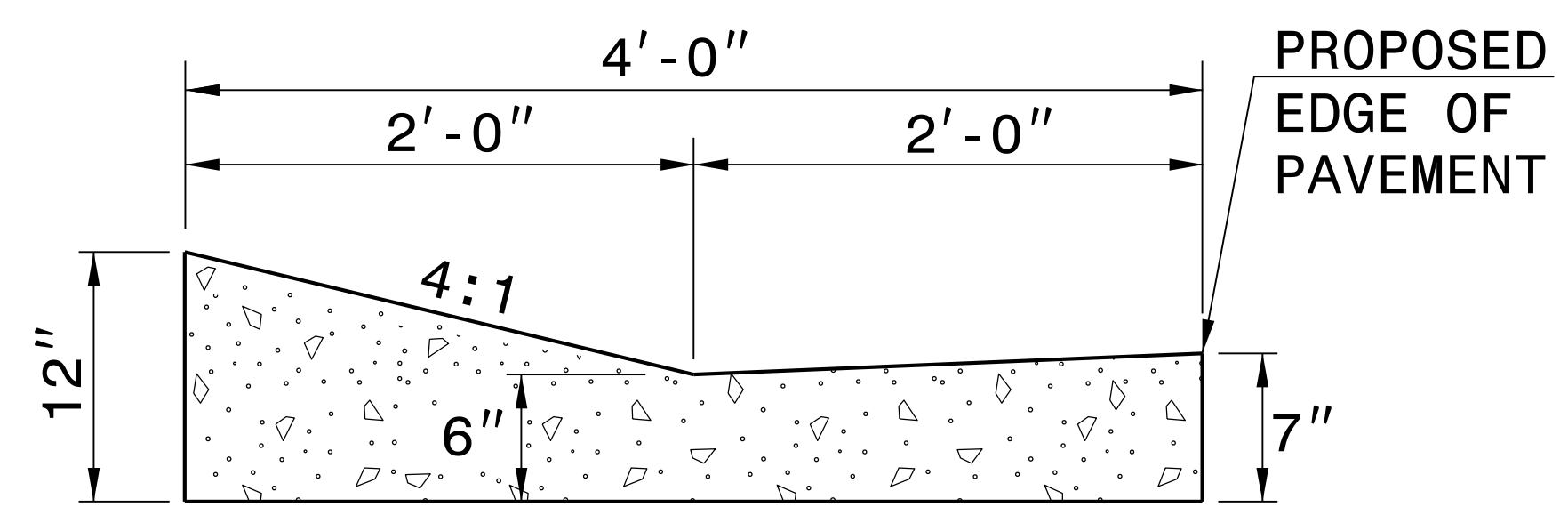
**CONTRACT STANDARDS
AND DEVELOPMENT UNIT**
Office 919-707-6950 FAX 919-250-4119

**TRANSITION FROM
2'-6" CURB AND GUTTER
TO VALLEY GUTTER**

ORIGINAL BY: T.S. SPELL DATE: FEB. 4, 2009
MODIFIED BY: DATE:
CHECKED BY: DATE:
FILE SPEC.: w:\usr\details\stand\cgtransit.dgn

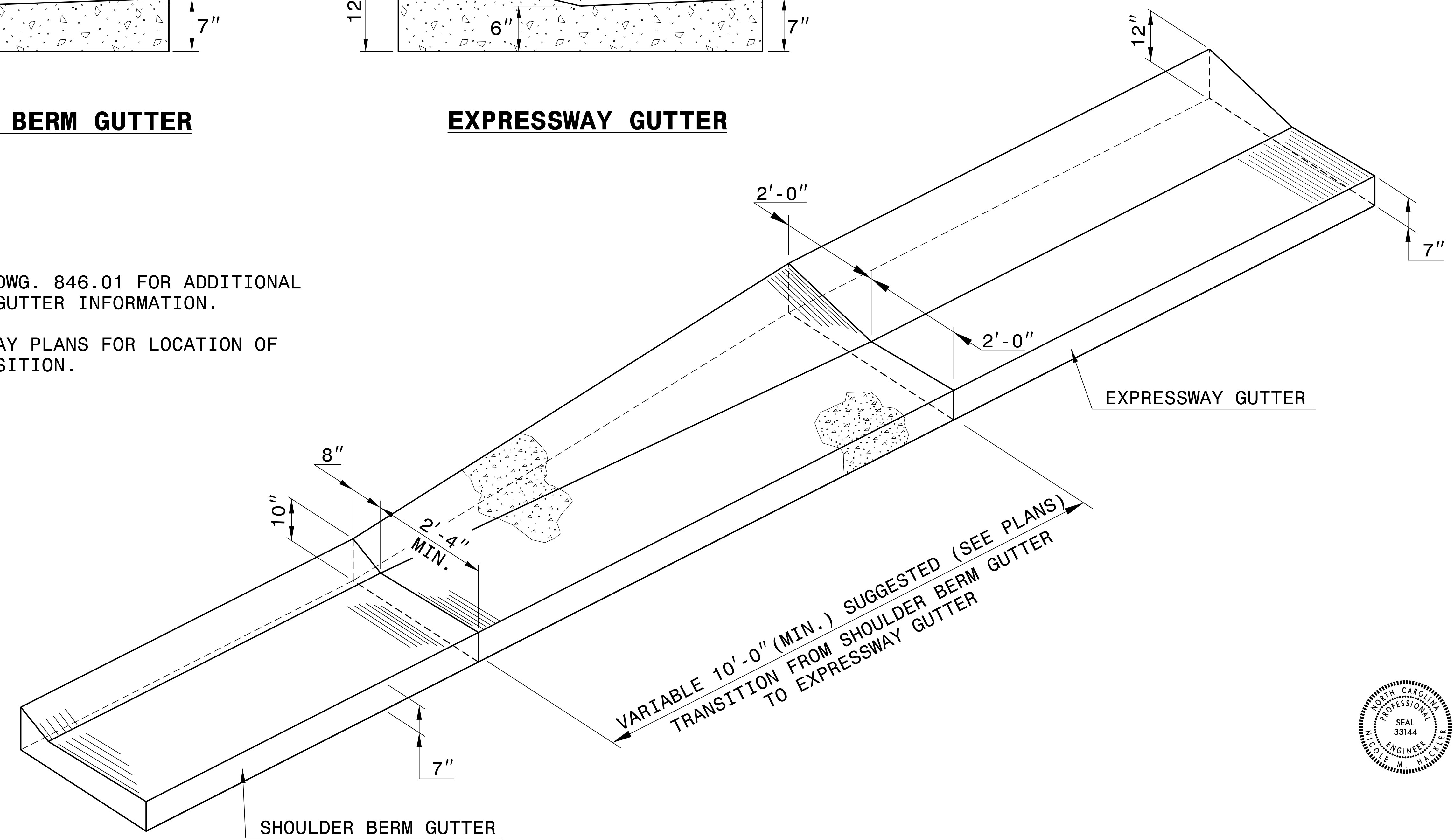


SHOULDER BERM GUTTER

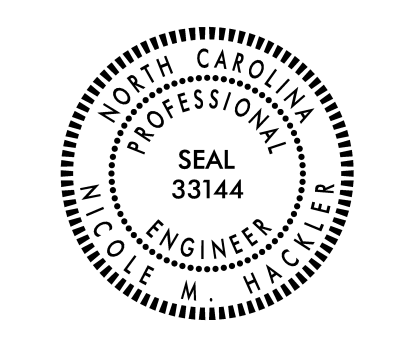


EXPRESSWAY GUTTER

NOTE: SEE STD. DWG. 846.01 FOR ADDITIONAL CURB AND GUTTER INFORMATION.
SEE ROADWAY PLANS FOR LOCATION OF CURB TRANSITION.



ISOMETRIC VIEW OF TRANSITION



DOCUMENT NOT CONSIDERED FINAL
UNLESS ALL SIGNATURES COMPLETED

CONTRACT STANDARDS AND DEVELOPMENT UNIT
Office 919-707-6950 FAX 919-250-4119
DETAIL OF SHOULDER BERM GUTTER TO EXPRESSWAY GUTTER TRANSITION SECTION

ORIGINAL BY: T.S.Spell DATE: 8-13-02
MODIFIED BY: DATE:
CHECKED BY: DATE:
FILE SPEC.: w:usr/details/stand/cgtransit.dgn

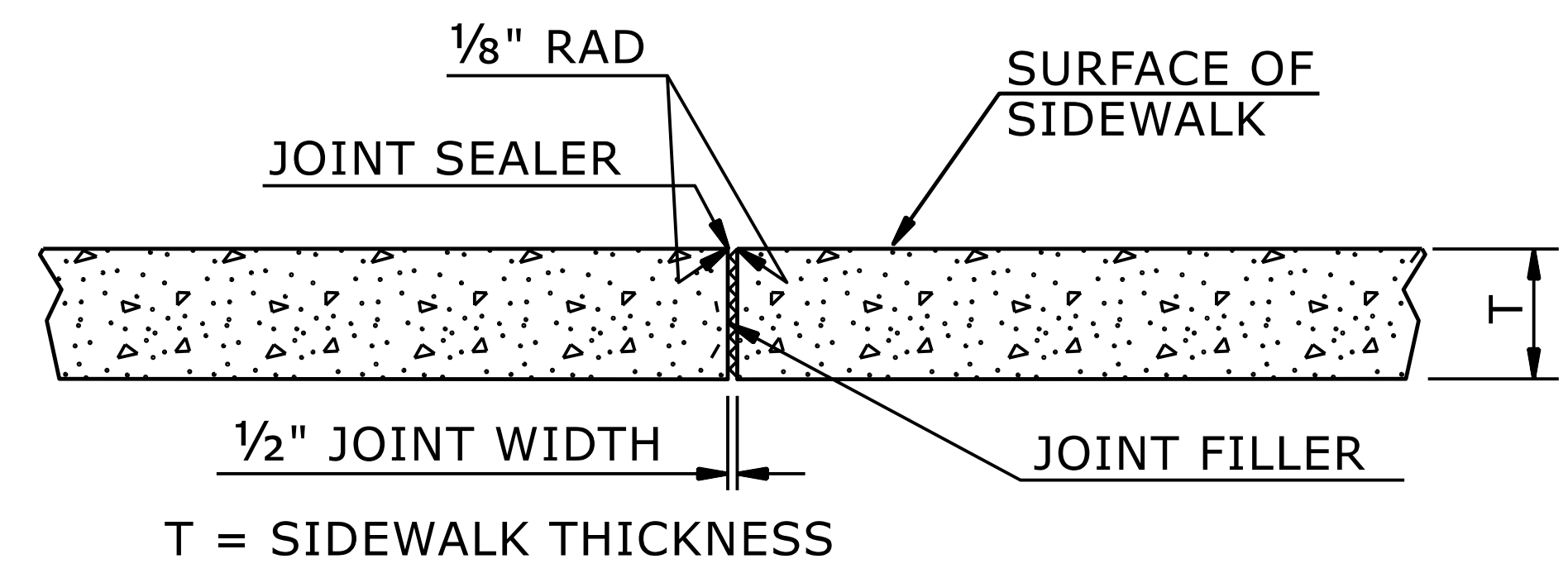
5/14/99
04-JUN-2019 10:25
S:\Contracts\Contractors\Special Details\Vericard\usr\details\stand\c&g transition sections.dgn
Jhewerton AT USD-292595

NOTES:

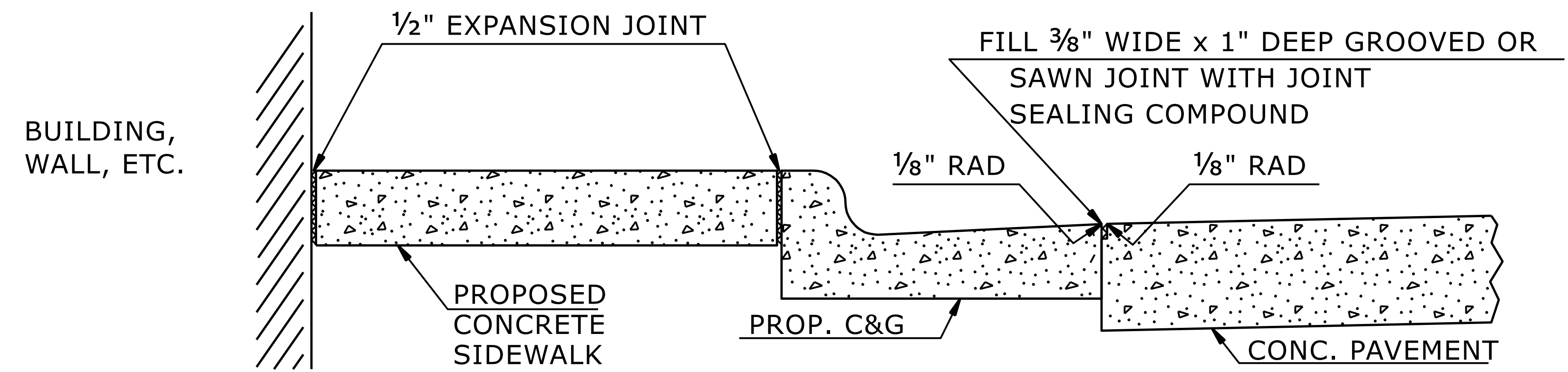
CONSTRUCT STANDARD SIDEWALK 5' WIDE AND 4" THICK UNLESS OTHERWISE DENOTED ON PLANS.

PLACE A GROOVE JOINT 1" DEEP WITH 1/8" RADII IN THE CONCRETE SIDEWALK AT 5' INTERVALS. ONE 1/2" EXPANSION JOINT WILL BE REQUIRED AT 50' INTERVALS. A 1/2" EXPANSION JOINT WILL BE REQUIRED WHERE THE SIDEWALK JOINS ANY RIGID STRUCTURE.

SEE STD. DWG. 848.06 FOR CURB RAMP LOCATION REQUIREMENTS AND CONSTRUCTION GUIDELINES.



TRANSVERSE EXPANSION JOINT
IN SIDEWALK



DETAILS SHOWING JOINTS IN CONCRETE SIDEWALK

STATE OF
NORTH CAROLINA
DEPT. OF TRANSPORTATION
DIVISION OF HIGHWAYS
RALEIGH, N.C.

ROADWAY DETAIL DRAWING FOR
CONCRETE SIDEWALK



SHEET 1 OF 1
848D01

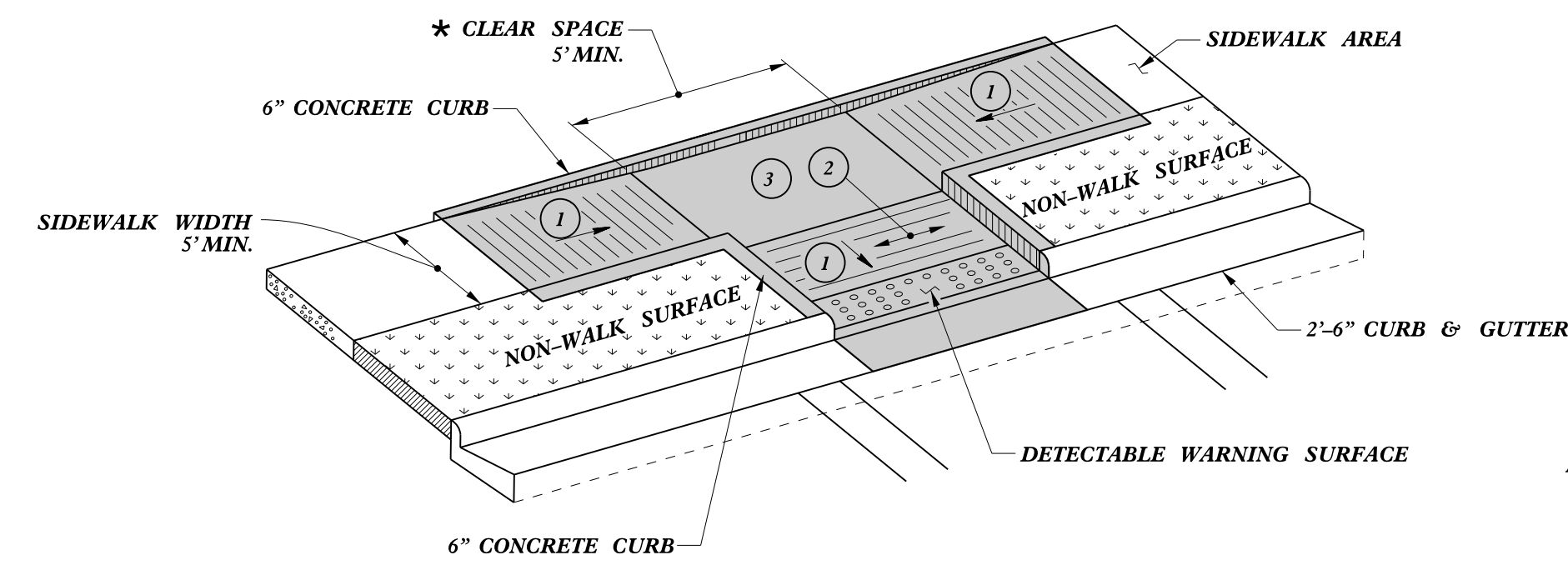
DOCUMENT NOT CONSIDERED FINAL
UNLESS ALL SIGNATURES COMPLETED

**CONTRACTS STANDARDS
AND DEVELOPMENT UNIT**
Office 919-707-6950 FAX 919-250-4119

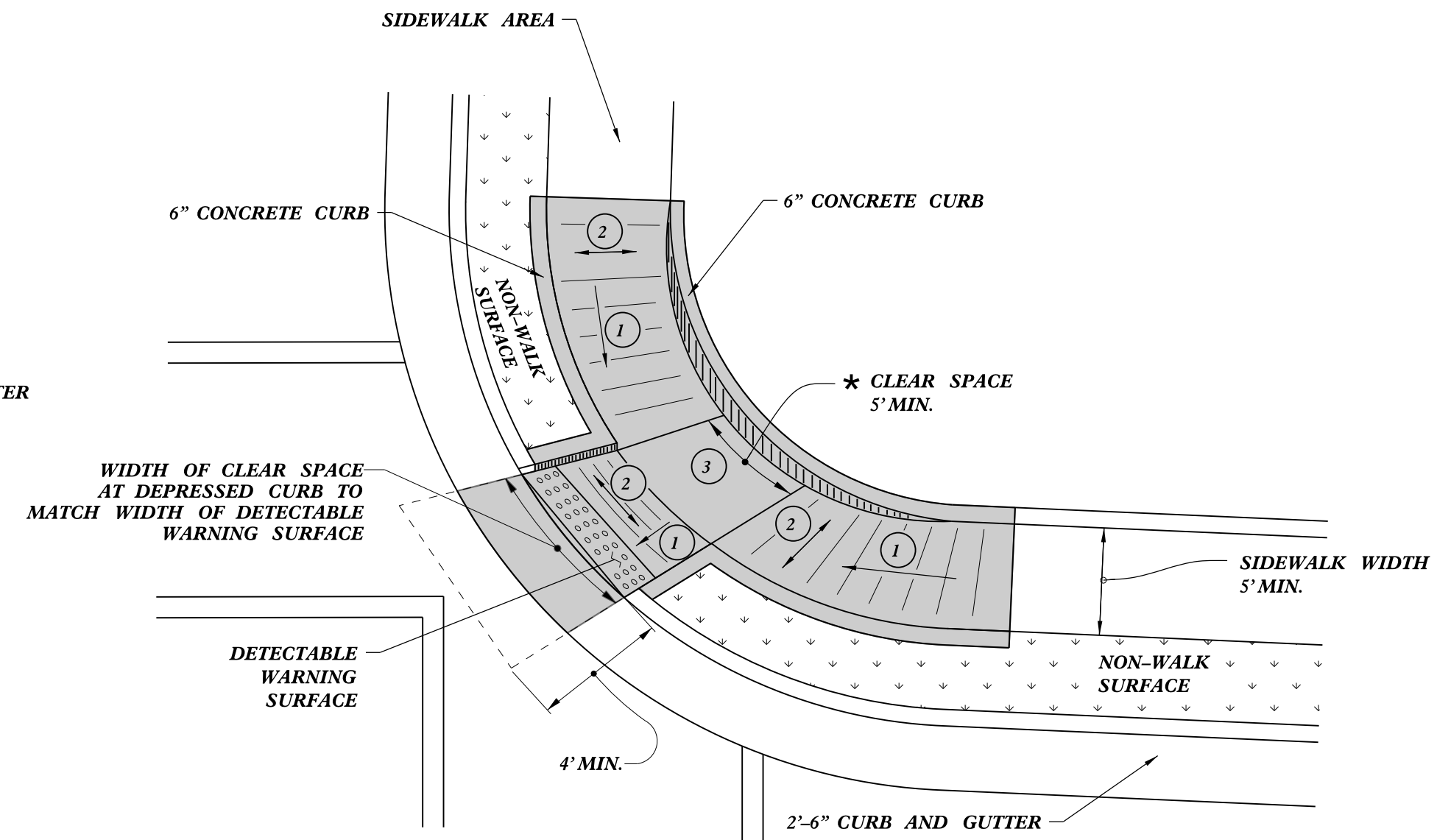
SEE TITLE BLOCK

ORIGINAL BY: S.CALHOUN DATE: 7-25-2024
MODIFIED BY: _____ DATE: _____
CHECKED BY: _____ DATE: _____
FILE SPEC.: _____

* - WHERE CLEAR SPACE IS CONSTRAINED ON TWO OR MORE SIDES, THE CLEAR SPACE SHALL BE 4' MINIMUM X 5' MINIMUM, WITH 5' PROVIDED IN THE DIRECTION OF THE PEDESTRIAN STREET CROSSING.

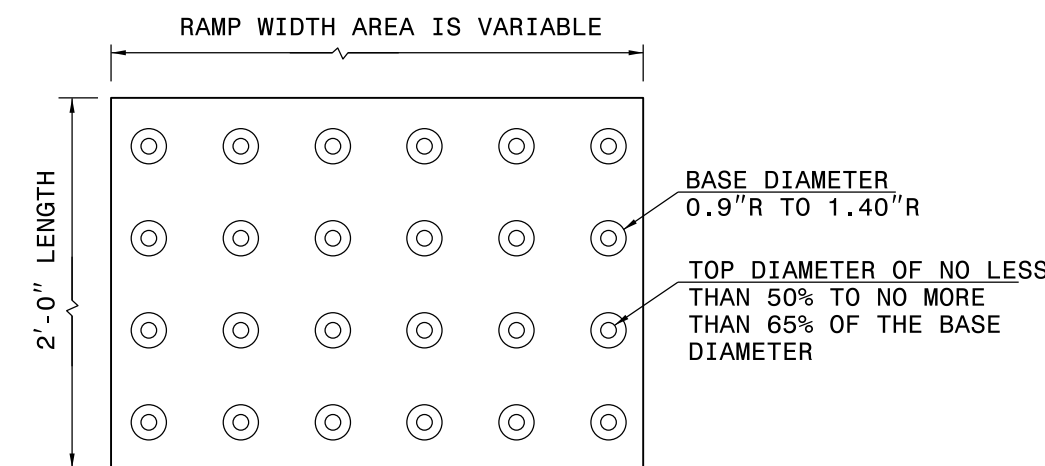


TYPE 3

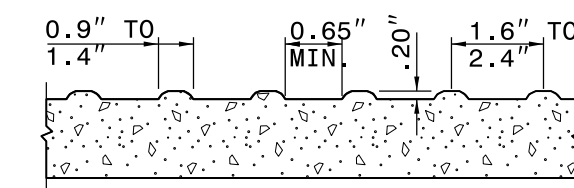


**TYPE 3 MODIFIED
INSTALLATION IN A RADIUS**

NOTES:
 1. DETECTABLE WARNING SURFACE SHALL COVER 2'-0" LENGTH AND FULL WIDTH OF THE RAMP FLOOR AS SHOWN ON THE DETAILS.
 2. DETECTABLE WARNING SURFACE SHALL CONTRAST VISIBLY WITH ADJOINING SURFACE, EITHER LIGHT-ON-DARK, OR DARK-ON-LIGHT SEQUENCE COVERING THE ENTIRE RAMP.



DETECTABLE WARNING SURFACE



- 1 8.33% (12:1) MAX RAMP SLOPE
- 2 CROSS SLOPE: 2.00%
- 3 MAXIMUM CROSS SLOPE AND LONGITUDINAL SLOPE OF 2.00%

PAY LIMITS FOR 1 CURB RAMP

STATE OF
 NORTH CAROLINA
 DEPT. OF TRANSPORTATION
 DIVISION OF HIGHWAYS
 RALEIGH, N.C.

ROADWAY DETAIL DRAWING FOR
CURB RAMP
 PARALLEL RAMP



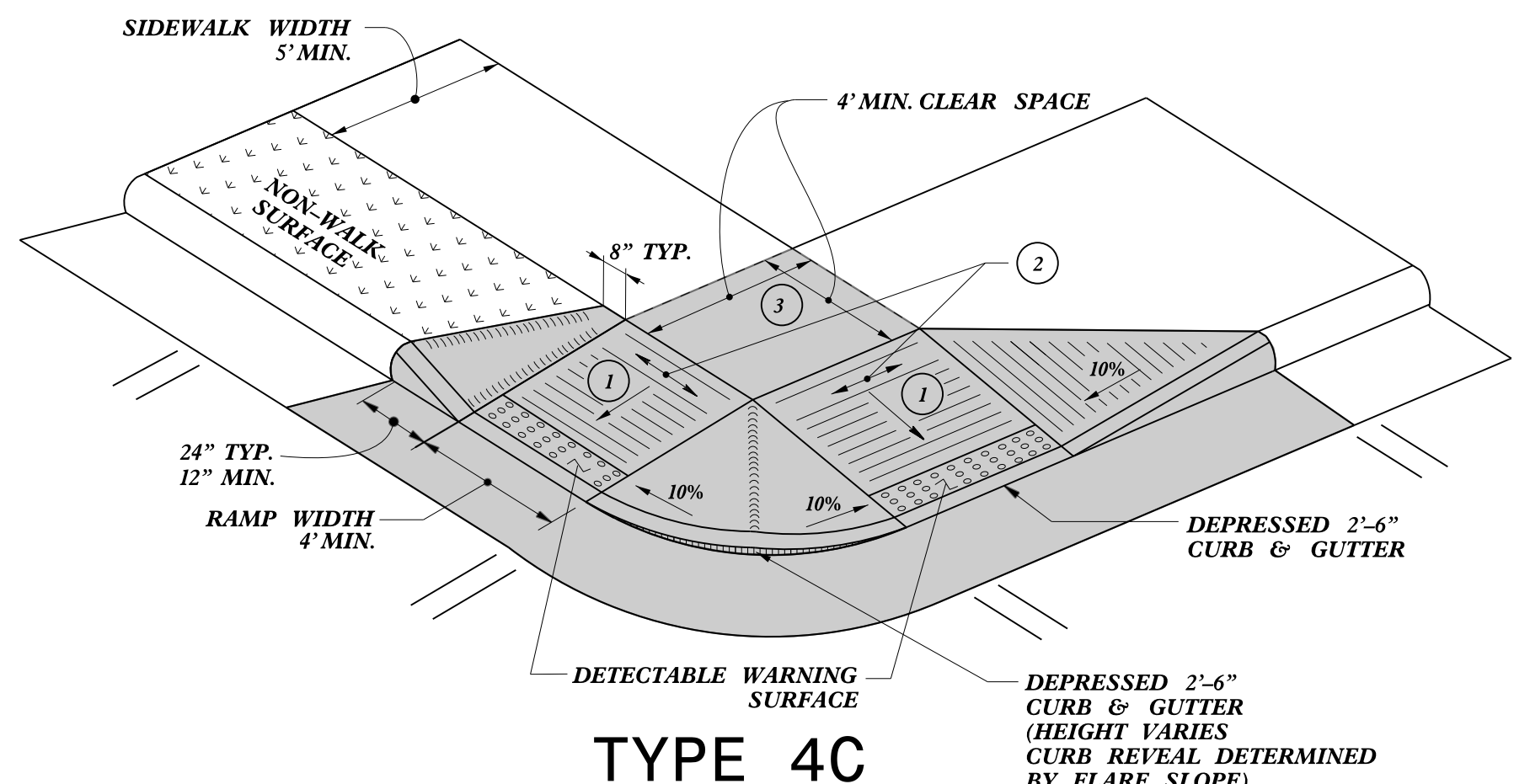
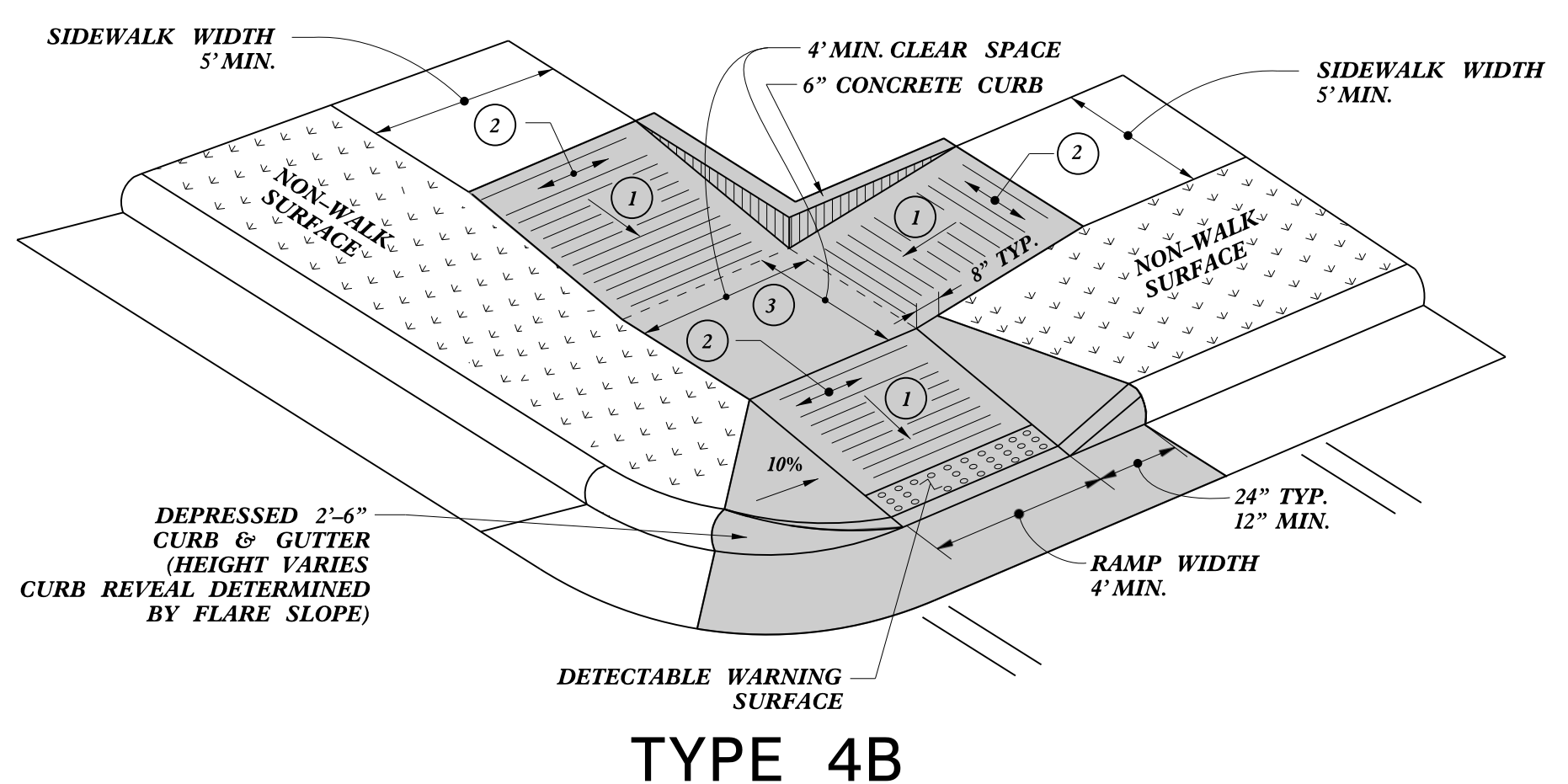
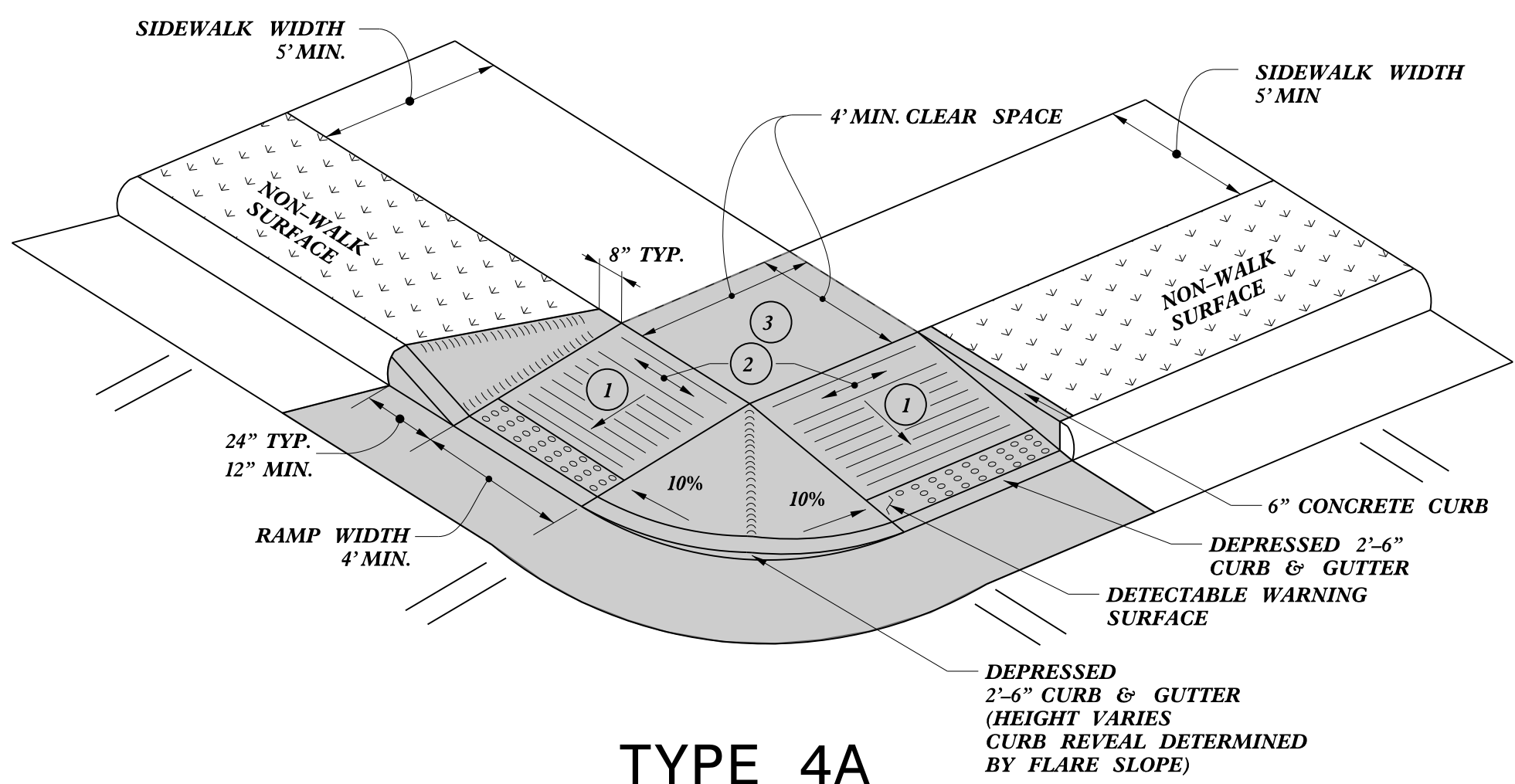
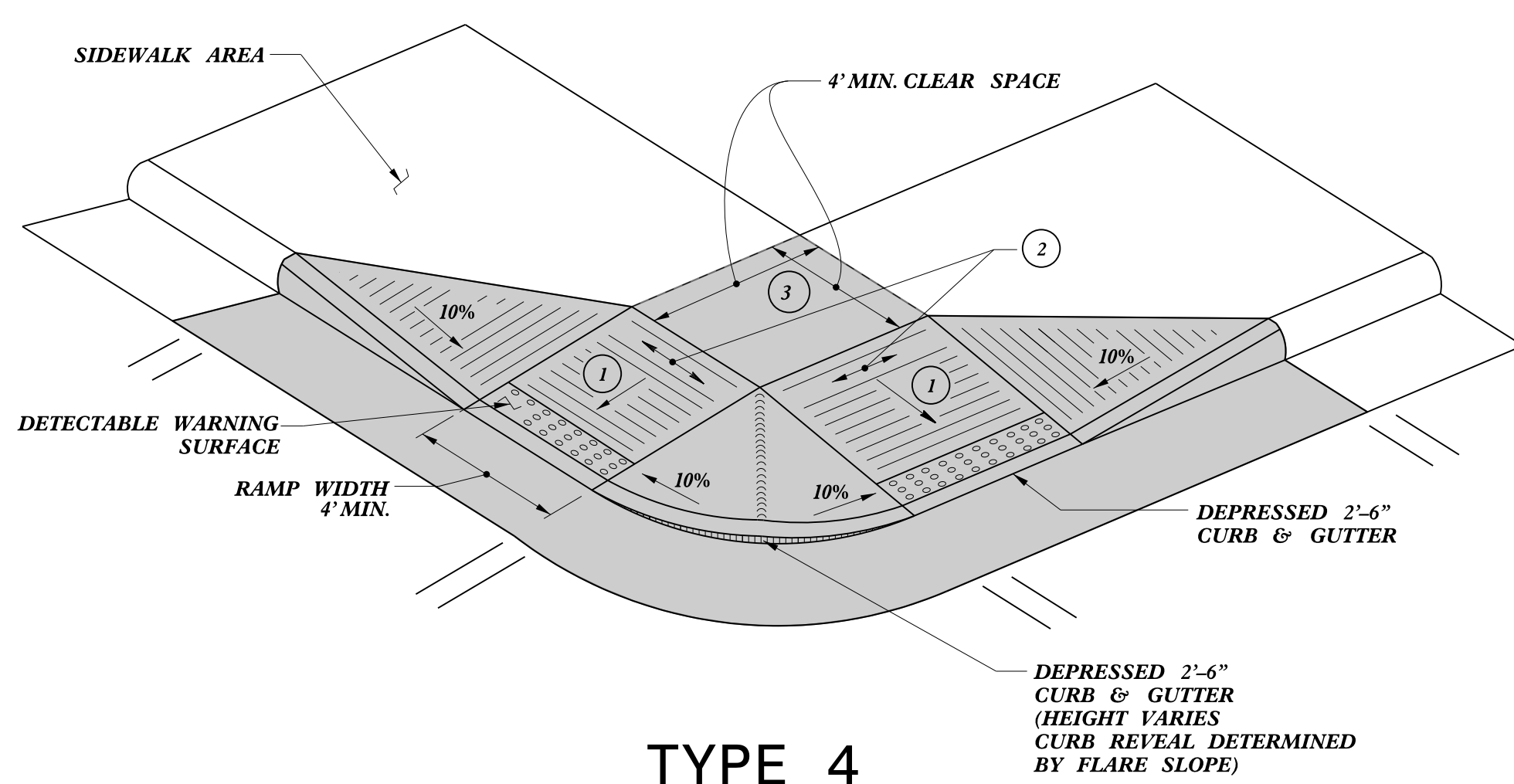
SHEET 9 OF 13
848D06

DOCUMENT NOT CONSIDERED FINAL
 UNLESS ALL SIGNATURES COMPLETED

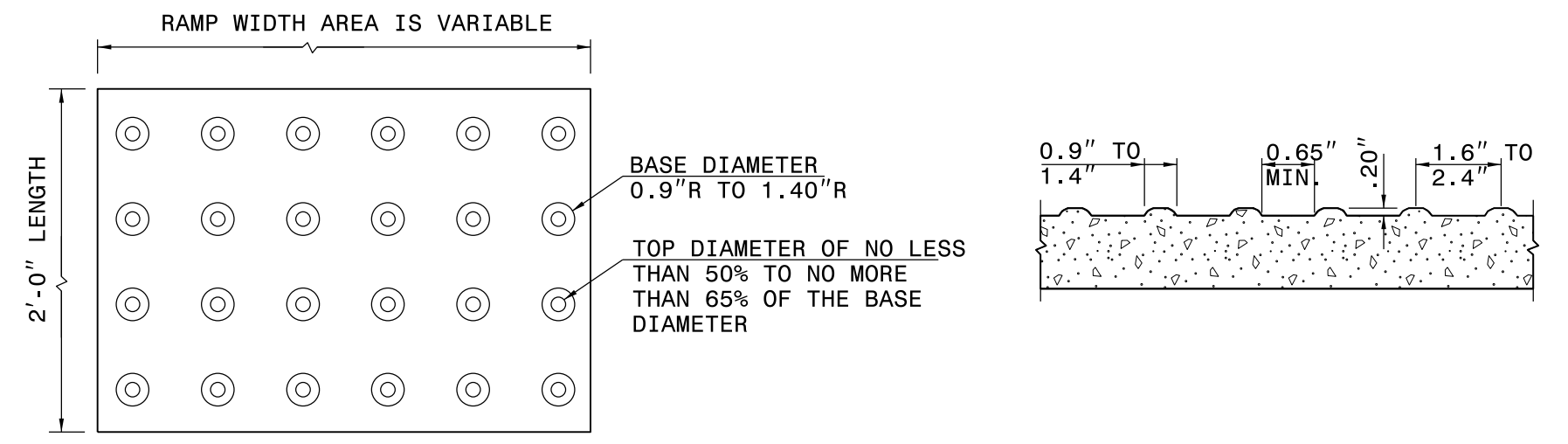
**CONTRACTS STANDARDS
 AND DEVELOPMENT UNIT**
 Office 919-707-6950 FAX 919-250-4119

SEE TITLE BLOCK

ORIGINAL BY: S.CALHOUN DATE: 12-22-2023
 MODIFIED BY: DATE:
 CHECKED BY: DATE:
 FILE SPEC.: special_details\nmhackler\0609.dgn



NOTES:
 DETECTABLE WARNING SURFACE SHALL COVER 2'-0" LENGTH AND FULL WIDTH OF THE RAMP FLOOR AS SHOWN ON THE DETAILS.
 DETECTABLE WARNING SURFACE SHALL CONTRAST VISIBLY WITH ADJOINING SURFACE, EITHER LIGHT-ON-DARK, OR DARK-ON-LIGHT SEQUENCE COVERING THE ENTIRE RAMP.



DETECTABLE WARNING SURFACE

- 1 8.33% (12:1) MAX RAMP SLOPE
- 2 CROSS SLOPE: 2.00%
- 3 MAXIMUM CROSS SLOPE AND LONGITUDINAL SLOPE OF 2.00%

PAY LIMITS FOR 1 OR 2 CURB RAMPS (CALCULATE BASED ON NUMBER OF SETS OF DETECTABLE WARNING SURFACES)

STATE OF NORTH CAROLINA
 DEPT. OF TRANSPORTATION
 DIVISION OF HIGHWAYS
 RALEIGH, N.C.

ROADWAY DETAIL DRAWING FOR
CURB RAMP
 SHARED LANDING



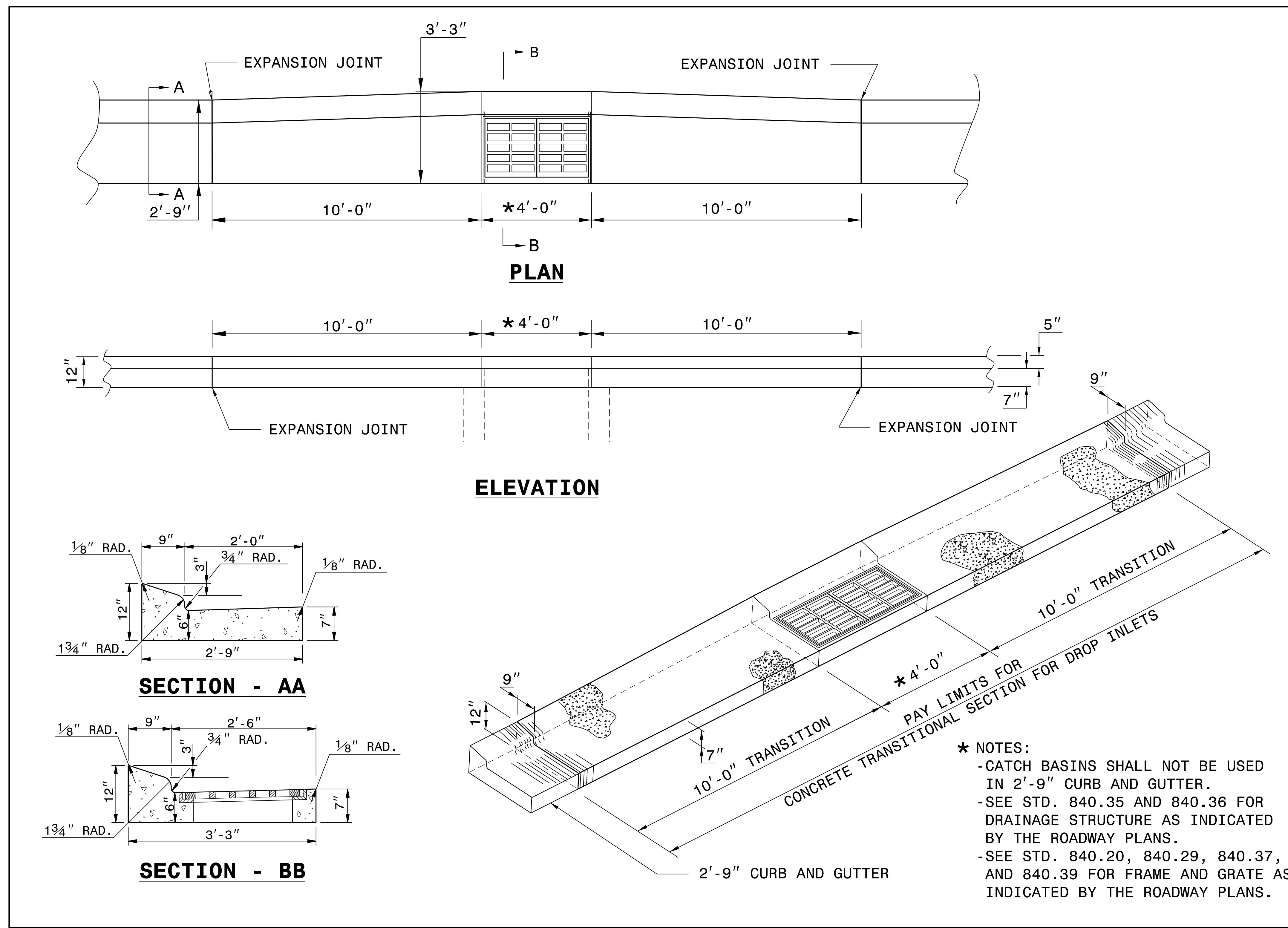
SHEET 10 OF 13
848D06

DOCUMENT NOT CONSIDERED FINAL UNLESS ALL SIGNATURES COMPLETED

CONTRACTS STANDARDS AND DEVELOPMENT UNIT
 Office 919-707-6950 FAX 919-250-4119

SEE TITLE BLOCK

ORIGINAL BY: S.CALHOUN DATE: 12-22-2023
 MODIFIED BY: DATE:
 CHECKED BY: DATE:
 FILE SPEC.: special_details\nmhackler\848D0610.dgn



STATE OF
NORTH CAROLINA
DEPT. OF TRANSPORTATION
DIVISION OF HIGHWAYS
RALEIGH, N.C.

ROADWAY DETAIL DRAWING FOR
MEDIAN CURB FOR TRAFFIC BEARING
GRADED DROP INLET
(FOR USE WITH 2'-9" CURB AND GUTTER)

SHEET 1 OF 1
852D07

- * NOTES:
- CATCH BASINS SHALL NOT BE USED IN 2'-9" CURB AND GUTTER.
 - SEE STD. 840.35 AND 840.36 FOR DRAINAGE STRUCTURE AS INDICATED BY THE ROADWAY PLANS.
 - SEE STD. 840.20, 840.29, 840.37, AND 840.39 FOR FRAME AND GRATE AS INDICATED BY THE ROADWAY PLANS.



DOCUMENT NOT CONSIDERED FINAL
UNLESS ALL SIGNATURES COMPLETED

**CONTRACT STANDARDS
AND DEVELOPMENT UNIT**
Office 919-707-6950 FAX 919-250-4119

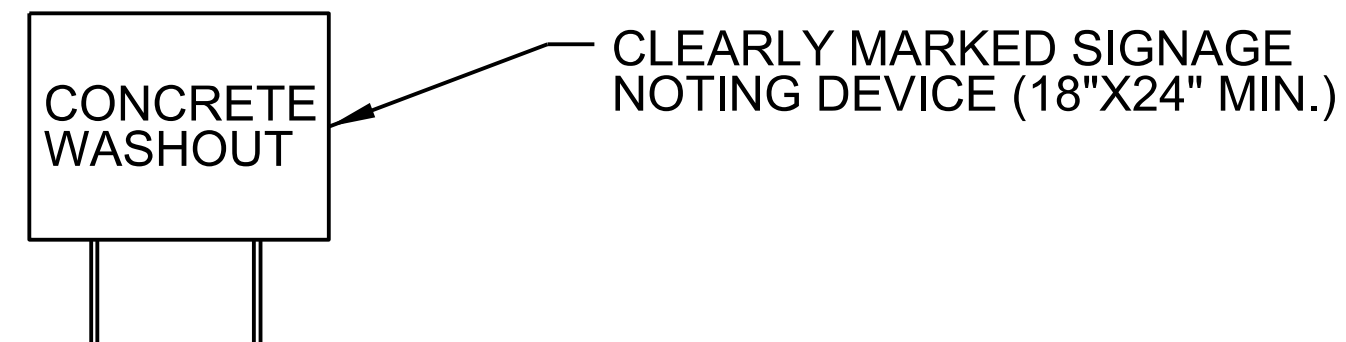
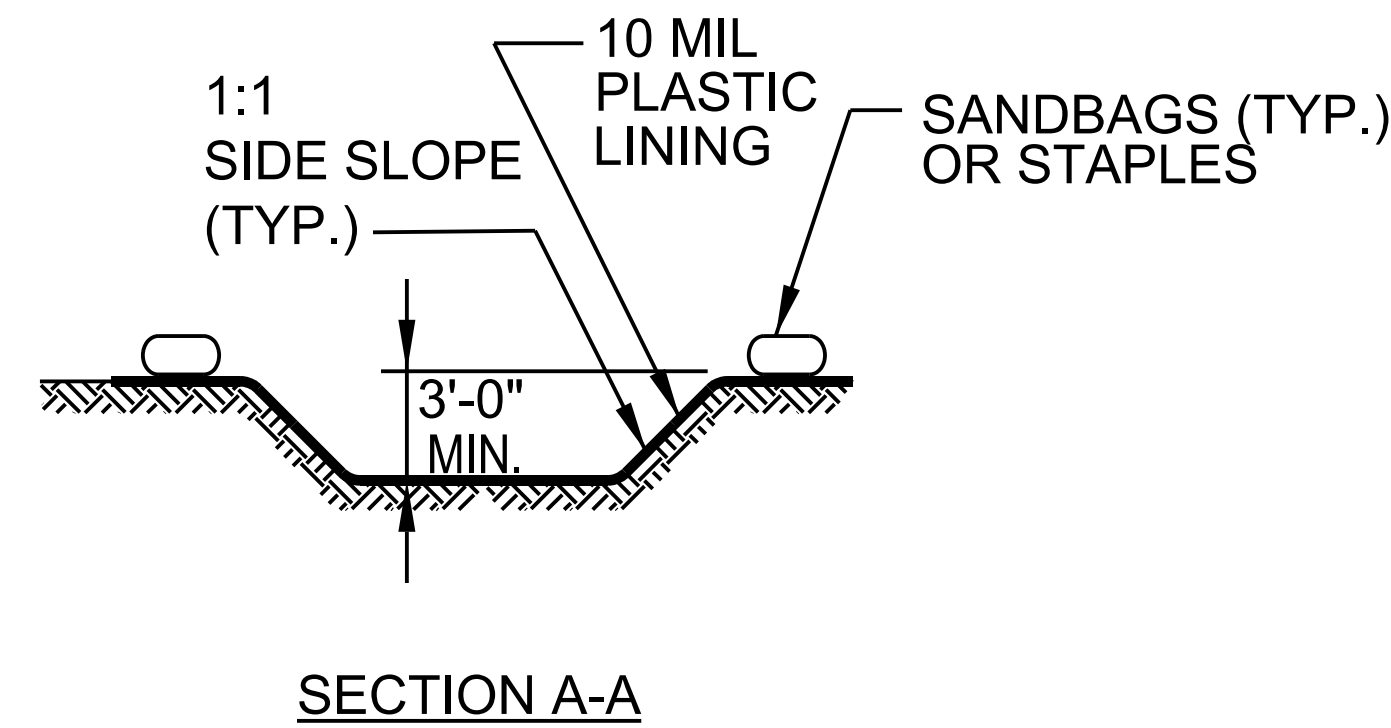
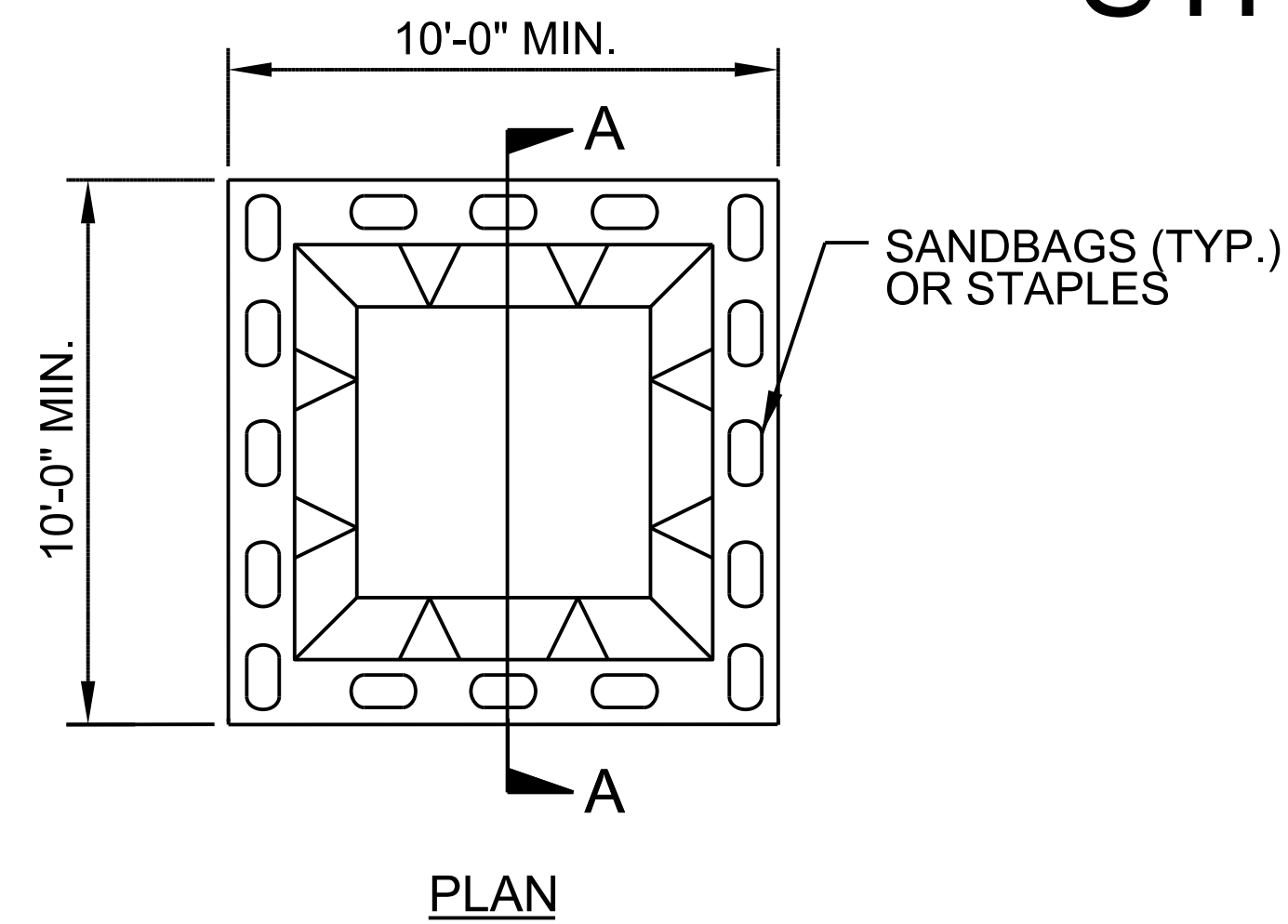
SEE TITLE BLOCK

ORIGINAL BY: K.A. KEMPF	DATE: 7-20-23
MODIFIED BY:	DATE:
CHECKED BY:	DATE:
FILE SPEC.: 2024 details in lieu\852D0701.dgn	

I:\JAN-2024\1249
 \852D0701.dgn
 \$\$\$USERNAME\$\$\$

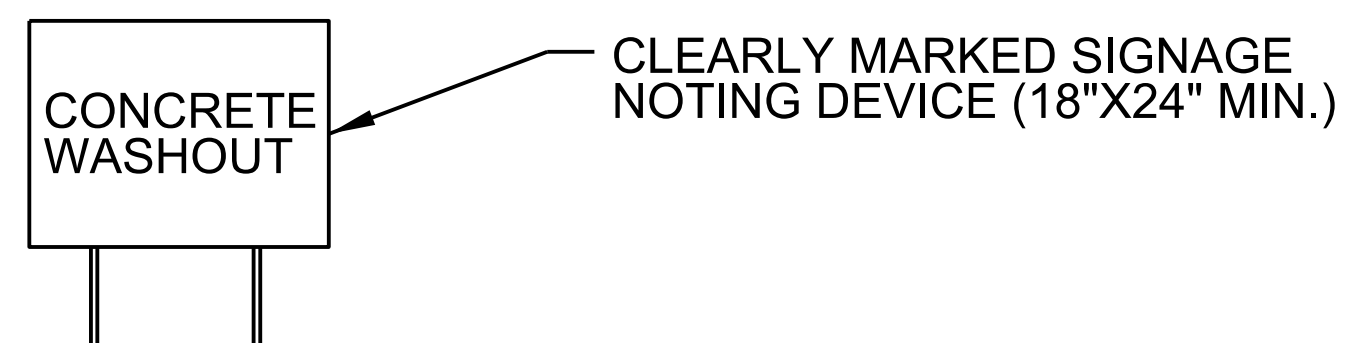
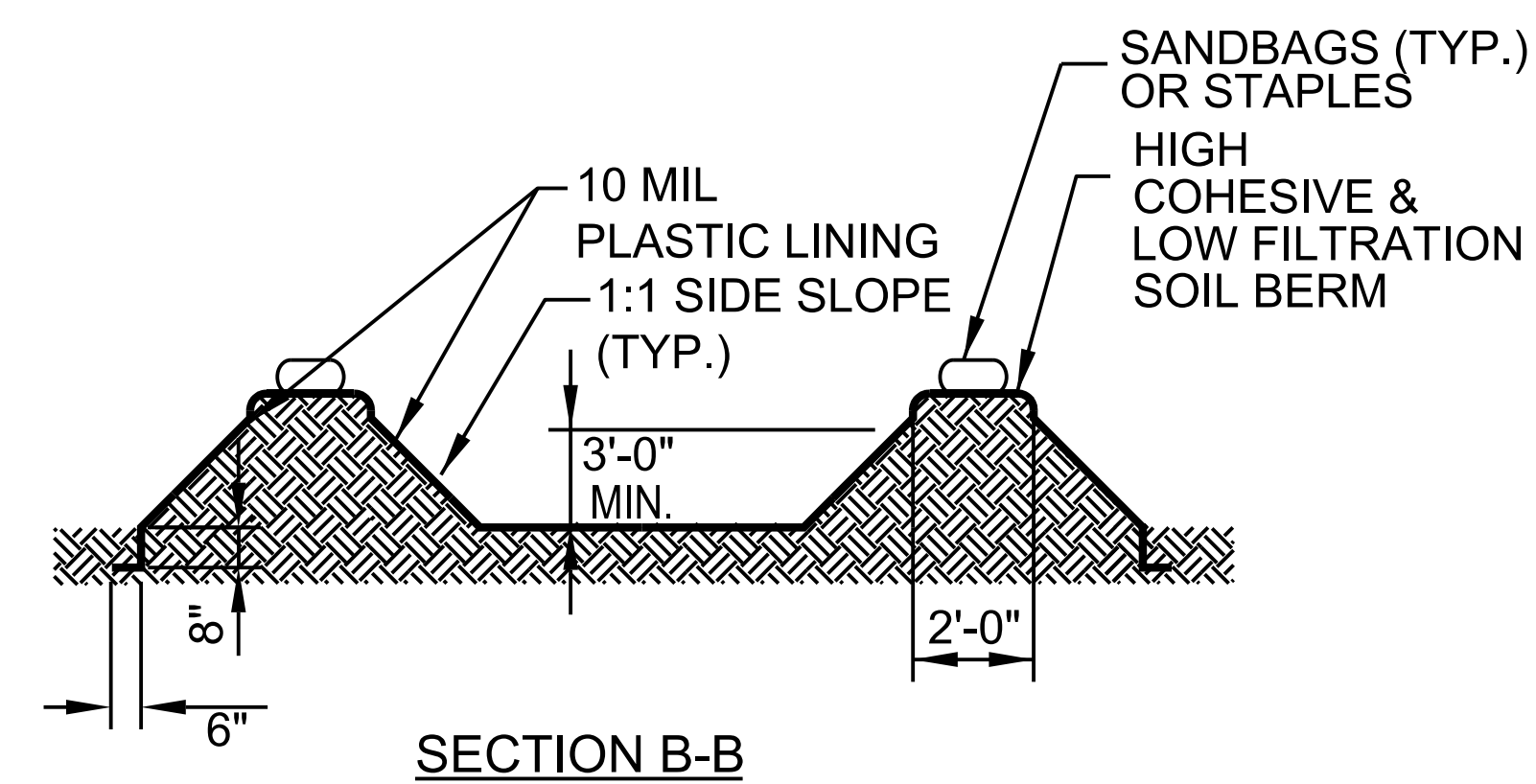
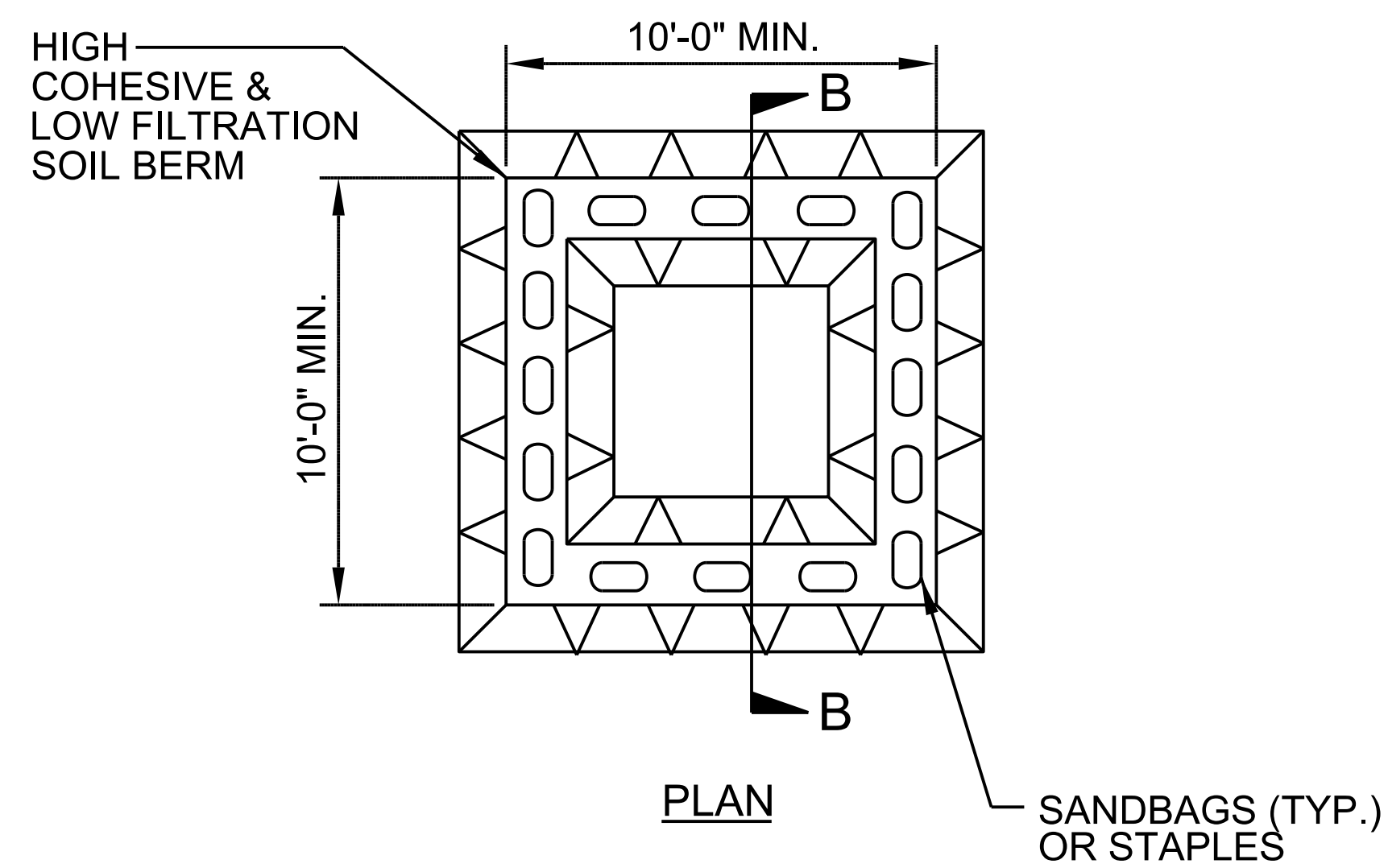
ONSITE CONCRETE WASHOUT STRUCTURE WITH LINER

PROJECT REFERENCE NO. <i>X-XXXX</i>	SHEET NO. <i>EC-2A</i>
R/W SHEET NO.	
ROADWAY DESIGN ENGINEER	HYDRAULICS ENGINEER



BELOW GRADE WASHOUT STRUCTURE
NOT TO SCALE

- NOTES:**
1. ACTUAL LOCATION DETERMINED IN FIELD
 2. THE CONCRETE WASHOUT STRUCTURES SHALL BE MAINTAINED WHEN THE LIQUID AND/OR SOLID REACHES 75% OF THE STRUCTURES CAPACITY TO PROVIDE ADEQUATE HOLDING CAPACITY WITH A MINIMUM 12 INCHES OF FREEBOARD.
 3. CONCRETE WASHOUT STRUCTURE NEEDS TO BE CLEARLY MARKED WITH SIGNAGE NOTING DEVICE.



ABOVE GRADE WASHOUT STRUCTURE
NOT TO SCALE

- NOTES:**
1. ACTUAL LOCATION DETERMINED IN FIELD
 2. THE CONCRETE WASHOUT STRUCTURES SHALL BE MAINTAINED WHEN THE LIQUID AND/OR SOLID REACHES 75% OF THE STRUCTURES CAPACITY TO PROVIDE ADEQUATE HOLDING CAPACITY WITH A MINIMUM 12 INCHES OF FREEBOARD.
 3. CONCRETE WASHOUT STRUCTURE NEEDS TO BE CLEARLY MARKED WITH SIGNAGE NOTING DEVICE.